

# OPALineSub

The On Point Audio OPALine Sub enclosure is a two-channel powered 18-inch (457mm) subwoofer that is designed for both permanent installation and live sound reinforcement applications. The OPALine Sub was designed as a companion product to the On Point Audio OPALine full-range, vertical, line-array enclosure.

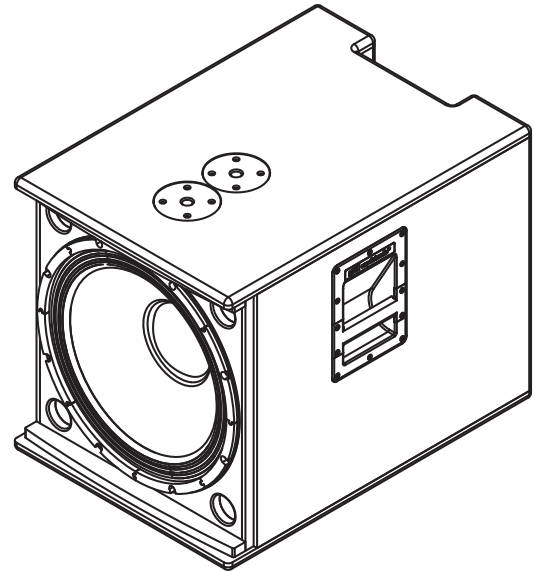
The OPALine Sub is a powered enclosure that features two independent channels. The enclosure features a high-order active crossover (4th order/24dB/Octave) design that sends 30Hz to 120Hz material to one channel of the amplifier module and is then routed to the internal 18-inch woofer. All frequency content above 120Hz is routed to the second amplifier channel. This high pass information is then sent to the external high-pass filtered output for connection to the OPALine full-range enclosure. The preamp features a subwoofer level control that allows the subwoofer level to be set independently of the OPALine top enclosure level. This feature allows the sub level to be set based on user defined requirements.

Each amplifier channel is a full class "D" module and is powered by an ultra-high efficiency switch-mode power supply. The individual amplifier channels are rated at 500 watts per channel continuous. The amplifier features a global power supply capable of automatic switching for either 115VAC or 230VAC.

THE OPALine Sub has a rated bandwidth of 30Hz to 120Hz and will produce extremely high-output low-frequency program material.

The OPALine Sub also features two 1 3/8" (35mm) standard pole mount receptacles. These two pole receptacles are designed to allow the OPALine enclosure to be mounted to the OPALine Sub active subwoofer. There are two loudspeaker mounting pole included in the OPALine Sub system. These poles are for use with the OPALine top enclosure ONLY! (DO NOT SUBSTITUTE OTHER ENCLOSURES AND USE ONLY THE POLES SUPPLIED!)

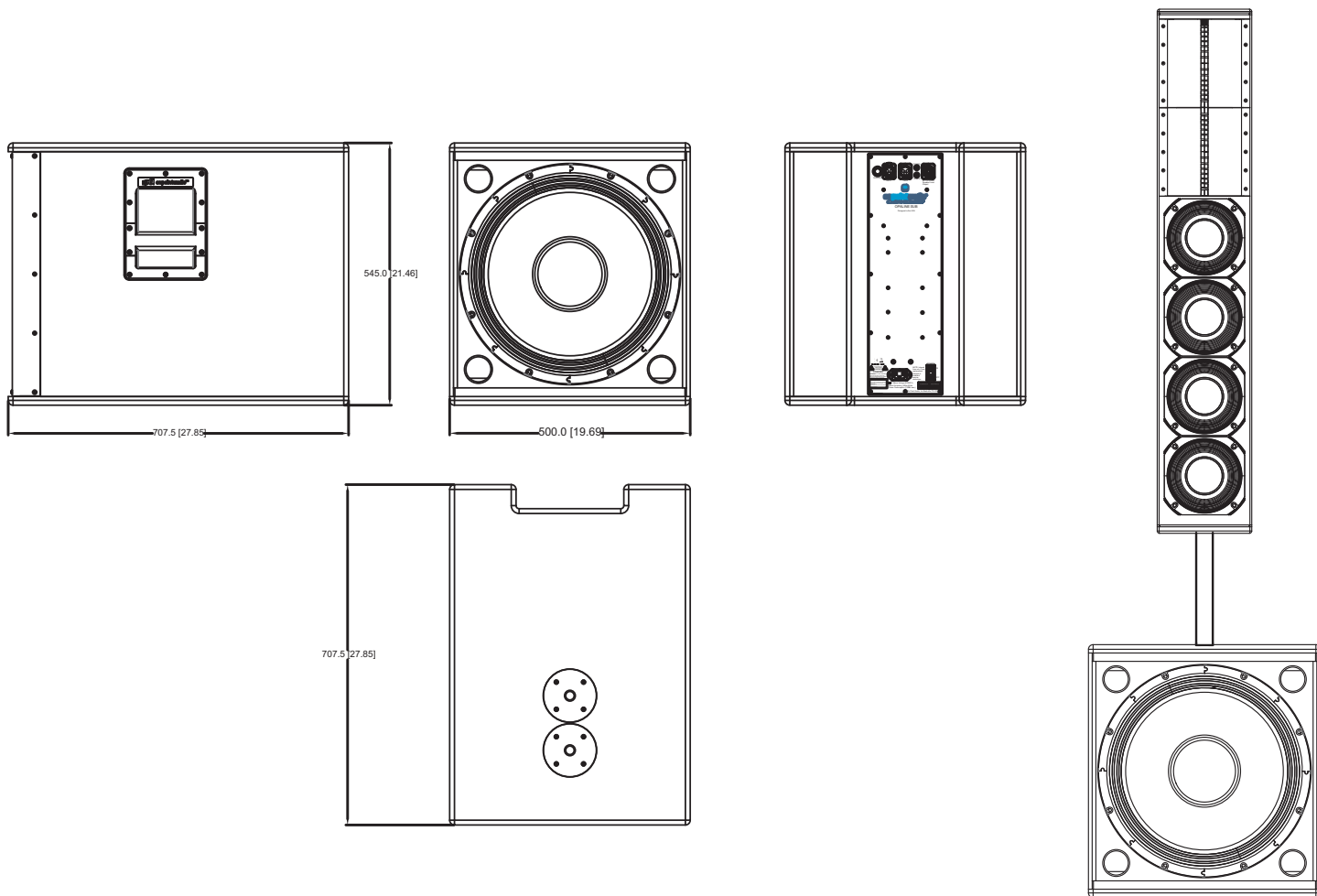
The OPALine Sub is constructed of very high quality 18mm void free plywood and finished using On Point Audio's proprietary PowerCoat™ high durability finish.



## FEATURES

- » 18" (457mm) Powered Subwoofer
- » Two-Channel Class "D" 500 watt/channel amplifiers
- » 500 watts Band-Pass Sub Woofer output
- » 500 watts High-Pass full range output to separate top enclosure
- » Double pole mount for use with OPALine full range/top enclosure

# OPALineSub



## SPECIFICATIONS

**System Type:** Dual Channel Powered Vented Enclosure

**Frequency Range:**

Sub Output: 30Hz-120Hz

High Pass Output: 120Hz – 20kHz

**Power Handling:**

Peak 1000 watts (peak)

Continuous 500 watts (burst)

**Sensitivity (1 watt / 1 meter):** 95dB

**Max Rated SPL:**

128dB (half space acoustic environment)

Peak 125 dB

Continuous 122 dB

**Inputs:** XLR balanced

**Dimensions:** Metric (mm) 545 x 500 x 707.5

Inches 21.46 x 19.7 x 27.9

**Weight:** 35.5 kg / 78.3 lb.