



Application

- Installed Sound Reinforcement in Outdoor Environments
- Indoor Applications Requiring High Sound Quality

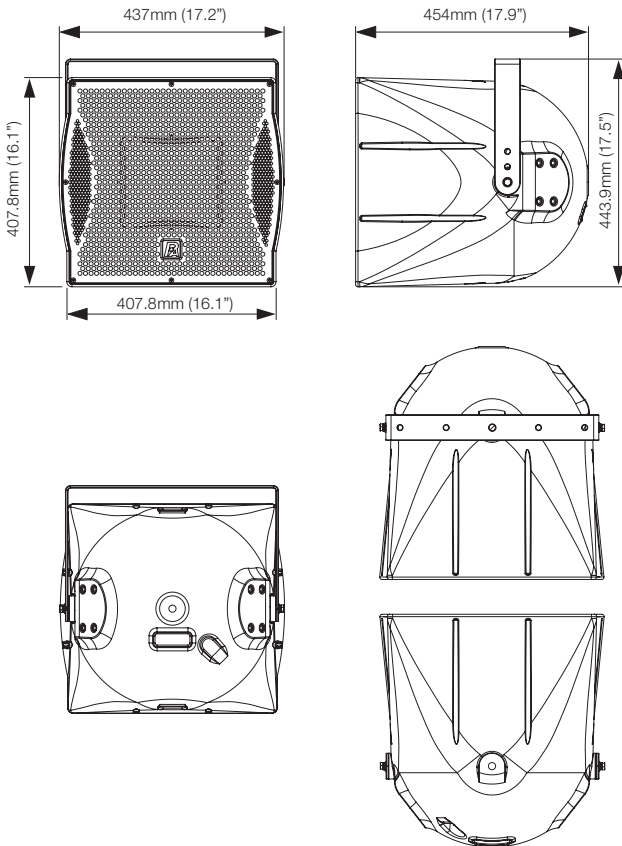
Features

- Rotomolded UV protected Polyethylene Cabinet
- Coaxially Mounted High Frequency Driver
- Integrated U Bracket with Dual Layer Zinc Rich Power Coating

The P.Audio SW-12D is a weather protected large format sound reinforcement system. The cabinet is made from a one piece rotomolded UV resistant polyethylene enclosure. The cabinet design is ported to aid low frequency extension, and the 12 inch is horn loaded to achieve higher SPL than would otherwise be possible. Within the cabinet there are 5 integrated rigging points, which can be used in conjunction with the included U Bracket kit for mounting to walls or ceilings. When pole mounting is required, an optional Pole Mount Kit can be purchased. The grille is made from CNC punched steel, and coated in a two-layer zinc rich, UV resistant powder coat finish.

The 12 inch woofer has a treated cone paper pulp for resistance against water and against dry rot. The high energy ferrite magnetics ensure high SPL for maximum coverage from a small system. The high frequency driver is mounted in front of the woofer to a large mouthed horn. This allows the compression driver to be crossed over at a lower frequency to maintain full pattern control across the entire frequency spectrum. The large format compression driver in the SW-12D is a new design which offers extremely high SPL across the entire frequency spectrum, avoiding the need for a separate mid band and high frequency compression drivers, and still offering higher SPL.

The SW-12D is well suited to outdoor environments where a reliable, weatherproof system is specified.



General Specifications

Type	Passive Two-Way
Woofer Size	12"
Woofer Voice Coil	3"
HF Size	1.4" Throat
HF Voice Coil	3"
Cabinet design	Rotomolded UV Protected HDPE Resin
Handles	None
Pole Mount	Accessory Only
Weight	22 kg / 48.5 lbs
Dimensions (WxDxH)	437x454x407.8 mm / 17.2x17.9x16.1 in

Acoustic Specifications

Sensitivity (1w/1m) (dB)	103dB
-3dB Response	90-14kHz
-10dB Response	70-20kHz
Power Handling (Watt)	600w
Maximum Continuous SPL (dB)	130dB
Maximum Peak SPL (dB)	136dB
Dispersion (HxV)	60x40

Electrical Specifications

Impedance	8 Ohm Nominal
Input	Bare Wire