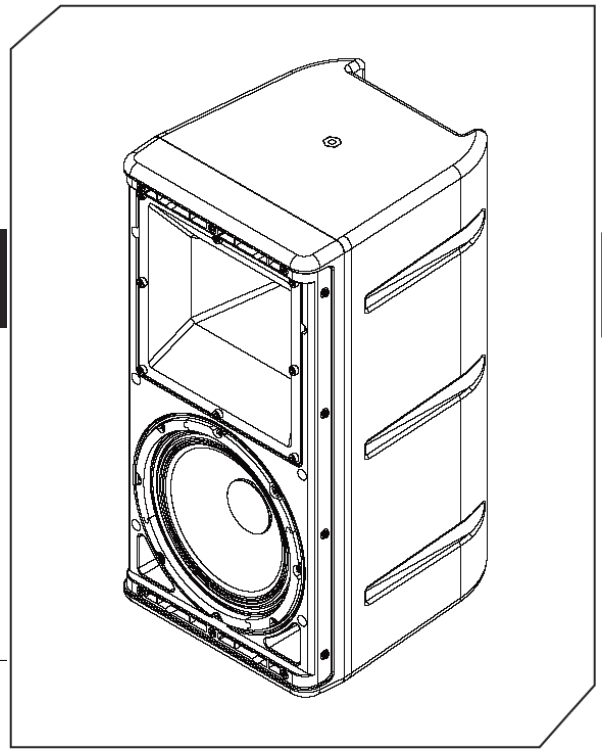
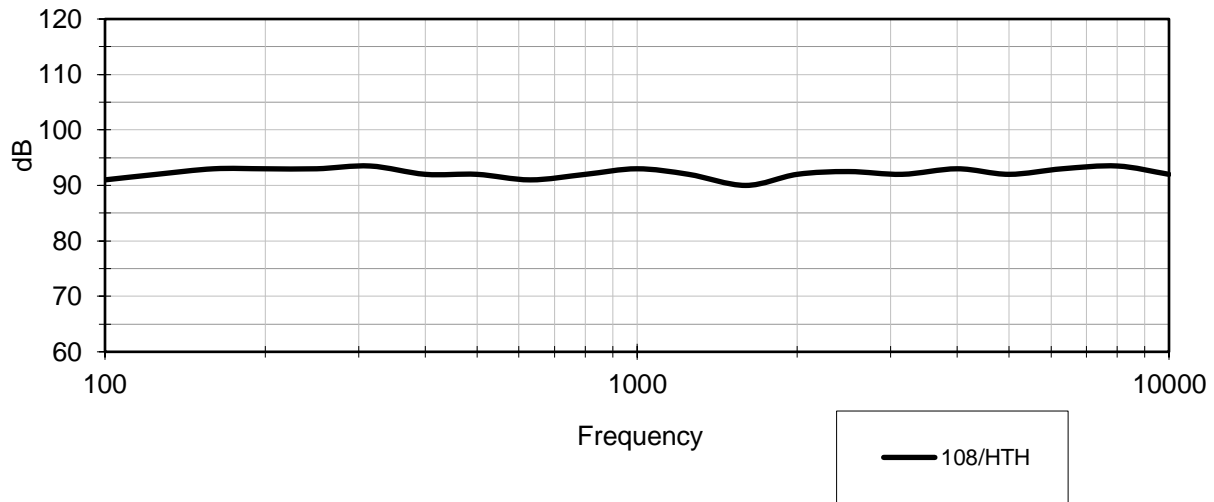


108HTH[™]

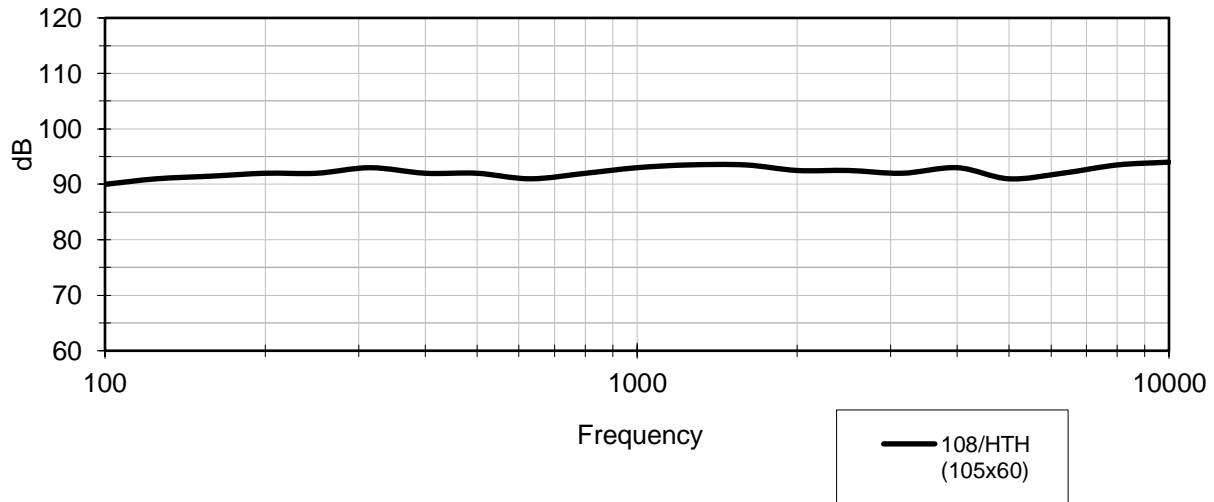
Frequency Response & Coverage Graphs - 26 Nov 2018



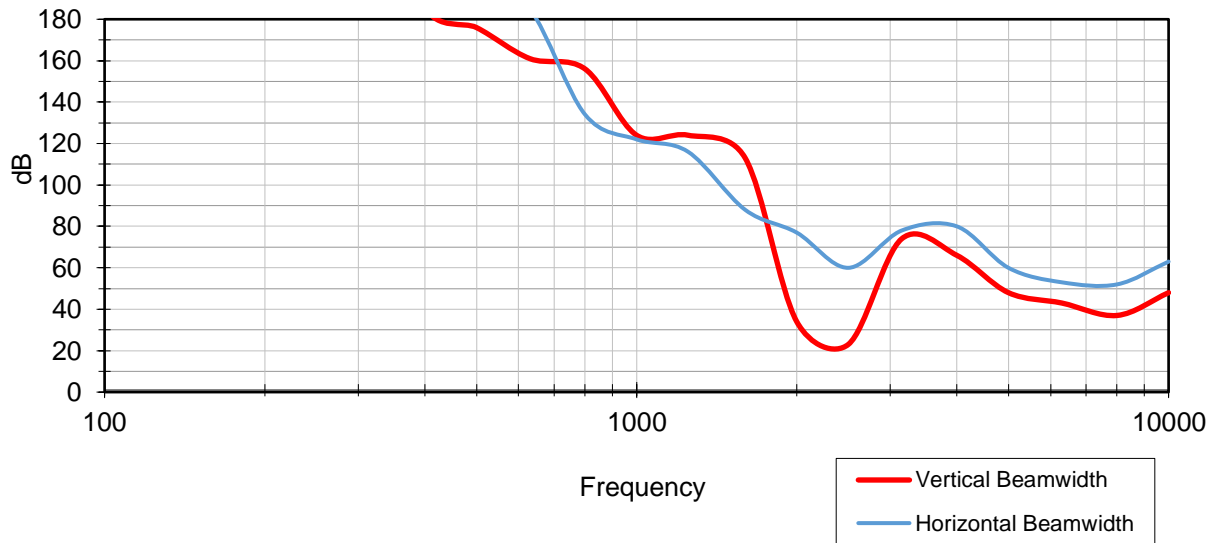
Frequency Response: 108/HTH



Frequency Response: 108/HTH (105x60)



108/HTH @ 6dB down



108/HTH (105x60) @ 6dB down

