



Applications

- Outdoor sound reinforcement installations
- Indoor sound reinforcement installations requiring high output

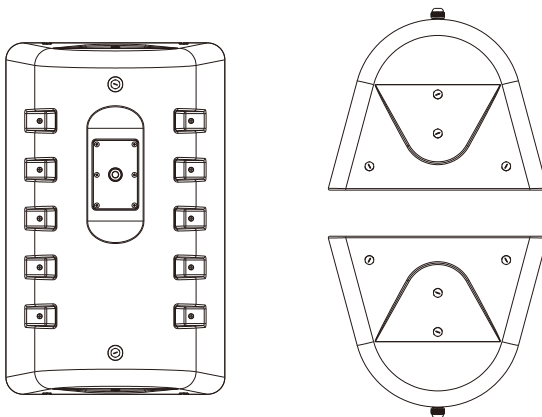
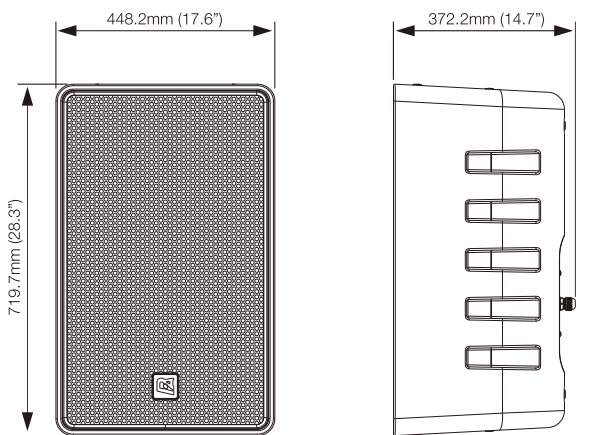
Features

- Weather and UV resistant Rotomolded polyethylene enclosure
- Includes structural steel U-Bracket with dual-layer, zinc-rich powder coating
- Two-way design with premium components provides high intelligibility and wide response

The P.Audio SW-122C is a weather protected, large format sound reinforcement system. The cabinet is made from a one-piece rotomolded UV resistant polyethylene enclosure, with high strength internal bracing. The cabinet design is ported to aid low frequency extension, with a large mouthed horn for excellent vocal projection. Within the cabinet, there are ten M10 mounting points for flexible mounting options, although a U Bracket is included with the cabinet for mounting to walls or ceilings. If pole mounting is required, an optional pole mounting kit may be purchased to support one or two SW-122C enclosures. The grille is made from CNC punched steel, and coated in a two layer zinc rich powder coat finish.

The 12 inch woofer has a treated cone paper for protection against water and dry rot. The high energy ferrite magnetics ensure maximum SPL from the system. The high frequency driver is a 63mm design mounted to a large mouthed horn with a 60 x 40 degree dispersion pattern. The horn may be rotated to allow for either horizontal or vertical cabinet mounting. The two way design of the SW-122C allows for high output and extremely natural sounding vocals, without the need for separate mid and high frequency drivers.

The SW-122C also features a 400w integrated transformer for use with 70/100v lines. The cabinet may also be used by bypassing the transformer for standard 8 ohm usage. This is done through the use of two barrier strips and included jumpers to allow easy operation.



General Specifications

Type	Passive Two-Way
Woofer Size	12"
Woofer Voice Coil	3"
HF Size	1.4" Throat
HF Voice Coil	2.5"
Cabinet design	Rotomolded UV Protected HDPE Resin
Handles	None
Pole Mount	Accessory Only
Unit Weight	26 kg / 57.3 lb
Dimensions (HxWxD)	719.7x448.2x372.2 mm / 28.3x17.6x14.7 in

Acoustic Specifications

Sensitivity (1w/1m)	98dB
-3dB Response	55Hz-18kHz
-10dB Response	45Hz-20kHz
Power Handling	400w
Maximum Continuous SPL	124dB
Maximum Peak SPL	130dB
Dispersion (HxV)	60x40

Electrical Specifications

Impedance	Hi-Z 400w/ 200w/ 100w
-----------	-----------------------