



### Application

- Installed Sound Reinforcement in Outdoor Environments
- Indoor Applications Requiring High Sound Quality
- Distributed Systems using the included Line Matching Transformer

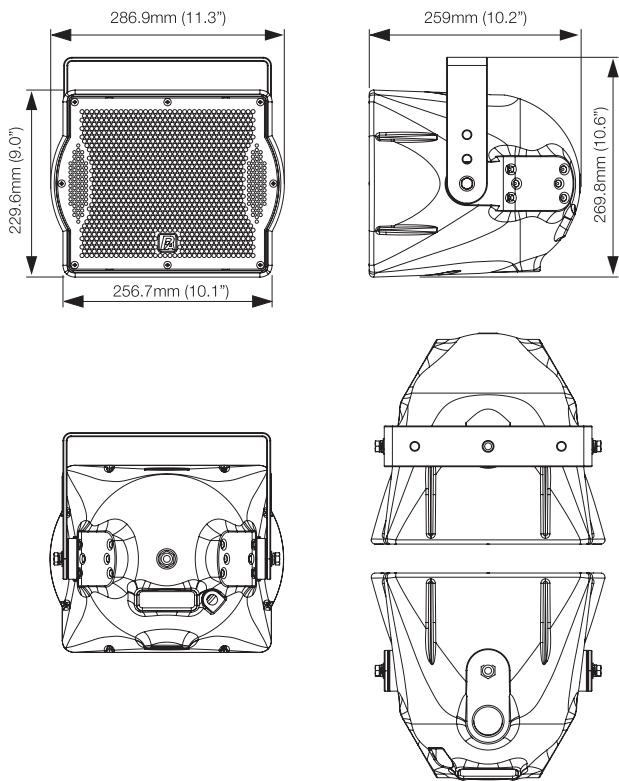
### Features

- Rotomolded UV protected Polyethylene Cabinet
- Coaxially Mounted High Frequency Driver
- Integrated U Bracket with Dual Layer Zinc Rich Power Coating

The P.Audio W-6C is a weather protected small format sound reinforcement system. The cabinet is made from a one piece rotomolded UV resistant polyethylene enclosure. The enclosure features a 35mm pole mount socket to mount of top of a standard speaker pole. The cabinet design is ported to aid low frequency extension. Within the cabinet there are 3 integrated rigging points, which can be used in conjunction with the included U Bracket kit for mounting to walls or ceilings. When pole mounting is required, an optional Pole Mount Kit can be purchased. The grill is made from CNC punched steel and coated in a two-layer zinc rich, UV resistant powder coat finish.

The 6 inch woofer has a treated cone paper pulp for resistance against water and against dry rot. The high energy ferrite magnetics ensure high SPL for maximum coverage from a small system. The high frequency driver is mounted behind the woofer in a Thru Pole Piece design. The horn flare ensures even coverage of 90 x 90 degrees. The high frequency driver uses a separate magnet in order to increase flux density in the magnetic gap, to benefit overall SPL and high frequency extension.

The W-6C is well suited to outdoor environments where a reliable, weatherproof system is specified. The line matching transformer allows connection to a high voltage line to minimise cable losses over long cable runs, further improving the usability of the system.



### General Specifications

Type	Passive Two-Way
Woofer Size	6.5"
Woofer Voice Coil	1.75"
HF Size	1"
HF Voice Coil	1.34"
Cabinet design	Rotomolded UV Protected HDPE Resin
Handles	None
Pole Mount	Molded in and Accessory
Weight	8 kg / 17.6 lbs
Dimensions (WxDxH)	286.9x259x229 mm / 11.3x10.2x9 in

### Acoustic Specifications

Sensitivity (1w/1m) (dB)	93dB
-3dB Response	120Hz-18kHz
-10dB Response	110Hz-20kHz
Power Handling (Watt)	150w
Maximum Continuous SPL (dB)	115dB
Maximum Peak SPL (dB)	121dB
Dispersion (HxV)	100x60

### Electrical Specifications

Impedance	8 Ohm or Hi-Z Switchable 50w/25w/12.5w
Input	Bare Wire