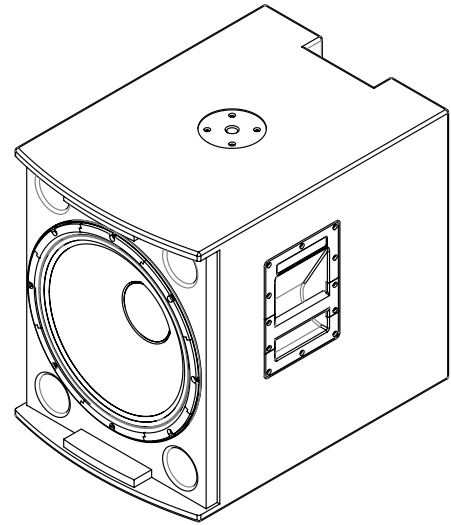


OPA-151SA

The On Point Audio OPA-151SA is a powered 15-inch (381 mm) subwoofer system that includes a two-channel class D power amplifier and full user-adjustable DSP. The amplifier is equipped with a filtered HF speaker line output optimized for driving On Point Audio's OPALine-82, as well as the OPA-5T, OPA-8NP and OPA-28NP full-range systems. In addition, it can be optimized to play other systems too.

The high performance 24-bit DSP features a variety of user adjustable parameters and presets. The OPA-151SA's DSP is easily programmable via any Windows based personal computer using the OPA-NET software that is included. Available user-selectable functions include fully parametric system equalization, delay and dynamics processing. The delay functions are adjustable for both the sub and the attached full-range speaker to optimize acoustic summing at the crossover point. The filtered output allows the OPA-151SA and the other passive On Point Audio systems to be combined to create an extremely high output, wide bandwidth sound reinforcement system that is remarkably small and flexible.

The OPA-151SA's power module features a total of 2,000 watts of peak power (1,000 watts continuous) with a full 1,000 watts of peak power delivered to the 15-inch low frequency transducer. The OPA-151SA also features a full 1,000 watts of peak output that may be used to drive the connected full-range speaker.



FEATURES

- » Powered 15-inch subwoofer system with two onboard amplifiers and user-adjustable DSP
- » 2,000 watts total peak output power - 1,000 watts peak for the sub and 1,000 watts filtered HF output for driving other speakers
- » 24-bit DSP with controllable input and output delays, 5 bands of fully parametric EQ, dynamics processing and more
- » Factory DSP presets optimized for OPALine-82, OPA-5T, OPA-8 NP and OPA-28 NP
- » 3 user program memory slots for saving created setups
- » 15-inch woofer with large-format voice coil
- » 13-ply marine birch plywood enclosure with PowerCoat™ finish

SPECIFICATIONS

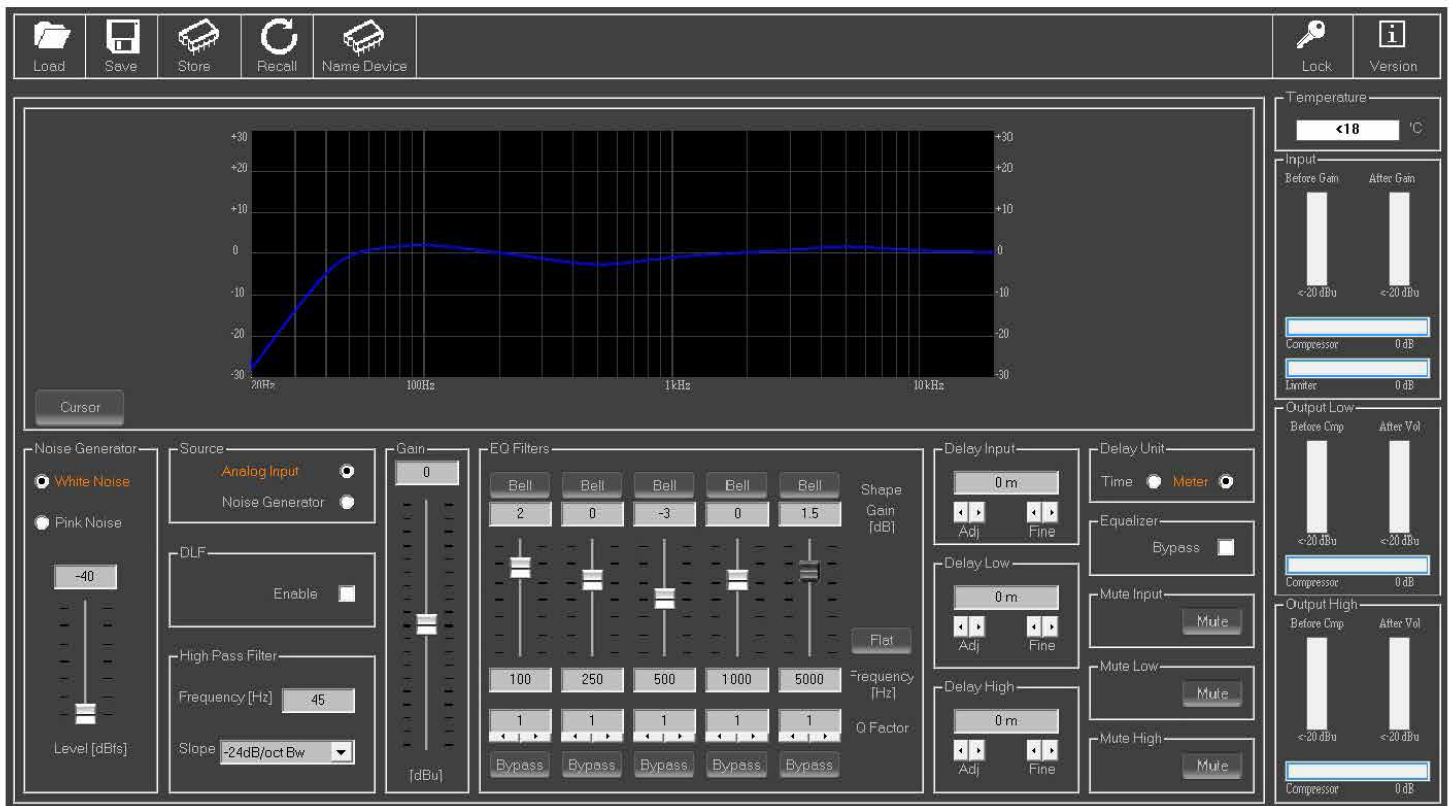
| | | | |
|---------------------------------------|---|-----------------------------------|--|
| Total System Peak Power: | 2000 watts | Input: | XLR in |
| Total System Continuous Power: | 1000 watts | | XLR thru |
| Sub Woofer Output: | 1000 watts peak | Output: | 7 Filtered Outputs |
| Hi output: | 1000 watts peak | | Program selected |
| System DSP: | 24 bit | Nominal Coverage (H x V): | Near Omnidirectional |
| DSP Control: | RS485 control and monitoring | Dimensions (H x W x D) mm: | 53.01 cm x 42.00 cm x 59.82 cm (20.87 x 16.54 x 23.55 in) |
| Crossover Frequency: | 80 Hz (4th order) (High out to OPA 15 Active or OPA 10 Active) | Weight: | 30.9 Kg, 68 lb. |
| Crossover Type: | Linkwitz-Riley | Supplied Accessories: | OPANet Software |
| Frequency Response (+/- 3dB): | 40Hz – 80Hz | Available Accessories: | PSA-82 pole stand adaptor P1 and P2 loudspeaker poles |

OPA-151SA

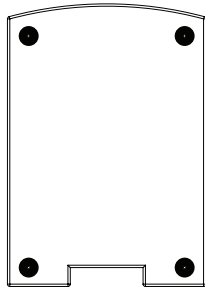
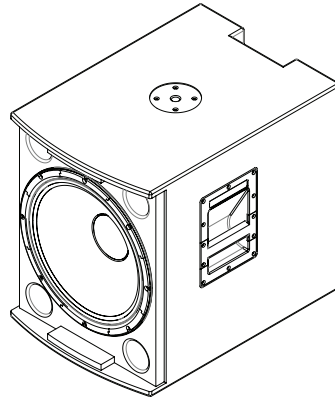
The DSP also features compressor / limiter dynamics that are programmed for maximum system dynamics and system protection. The software also includes a dynamic loudness filter, which provides low and high-end boost that tracks the input level.

The OPA-151SA is equipped with a 15-inch woofer with a large-format voice coil. Its 13-ply marine-grade birch enclosure is covered with On Point Audio's wear-resistant PowerCoat finish, that is tough and attractive. The sub is equipped with a metal M20-sized screw-on pole mount for use with the optional OPA-P1 and OPA-P2 mounting poles. The OPA-151SA also includes OPA-NET software supplied on a CD-ROM and a USB – RS485 connector to allow hookup and editing of software parameters.

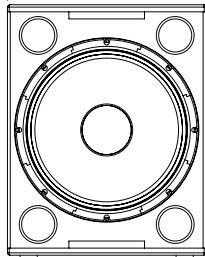
opanel™



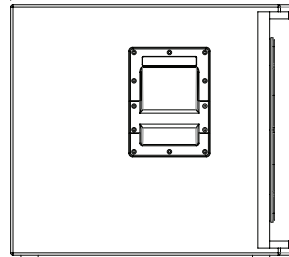
OPA-151SA



420.0
[16.54]



598.1
[23.55]



530.0
[20.87]

