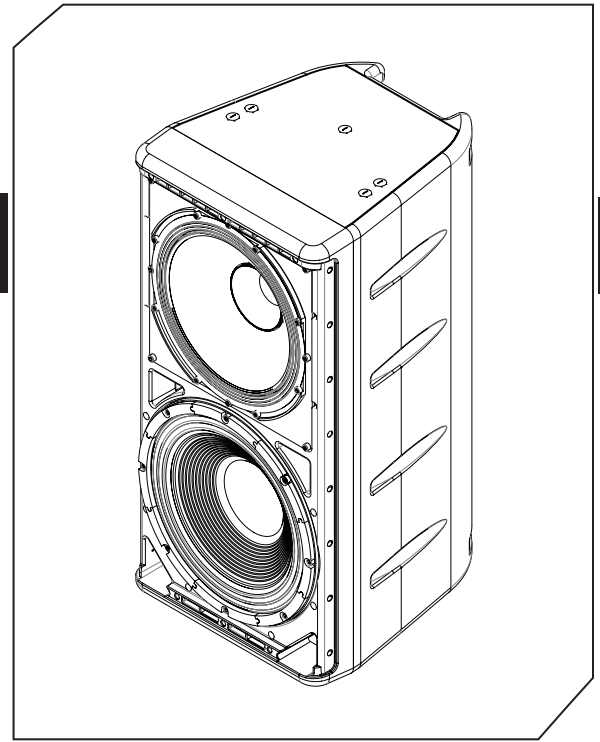


# 212HC<sup>™</sup>

The 212HC is a very high-output two-element array loudspeaker system. The 212HC was designed to produce very high sound pressure levels, with broad bandwidth content and very high intelligibility. The 212HC utilizes 316-grade stainless steel (marine-grade) for all structural and rigging points. All associated One Systems rigging accessories are also 316-grade stainless steel. All metal components that are not structural feature a newly developed marine-grade powder coat over 304-grade stainless steel. This allows the 212HC to be used in ocean front and cruise ship applications, as well as in general direct weather installations. **IMPORTANT NOTE:** For ocean front and marine environments, the included “vent plugs” **must** be installed in the loudspeaker vents! The 212HC may be used in direct weather outdoor installations, as well as indoor applications where high vocal intelligibility and accuracy are required. Like all One Systems products, the 212HC was designed to not only offer excellent full-range fidelity, but superior vocal reproduction and intelligibility as well. For extended bandwidth applications, the 212HC may be coupled with the 118HSB to provide full bandwidth operation at very high sound pressure levels and in a very small footprint.

The system consists of 2 each 12-inch direct radiator transducers in a vertically oriented array. The top 12-inch element is also a coaxial system that features a large format compression driver. The 212HC produces full bandwidth response and excellent vertical control. The two element vertical array provides improved polar control. This makes the 212HC excellent for reverberant indoor spaces such as gymnasiums, basketball arenas, and large general purpose spaces. The extended vertical control is



## FEATURES & BENEFITS

- » 2 Element 12” Vertical Array
- » Marine-grade (316) stainless steel rigging points
- » Very High SPL extended bandwidth response
- » IEC 529 IP 45 (IP 56 with vent plugs)
- » Optimized for high-intelligibility and vocal articulation
- » Multiple M10 rigging points
- » Pan and Tilt (PT76/M), Pole Mount (PM4/M) rigging brackets
- » U bracket available

## SPECIFICATIONS

<b>Frequency Response:</b>	75Hz – 16kHz
<b>Coverage Pattern:</b>	60 degrees conical
<b>Passive Crossover Frequency:</b>	1800 Hz
<b>Inputs:</b>	4-position barrier
<b>System Sensitivity (1 Watt / 1 Meter):</b>	99dB
<b>Power Handling:</b>	1200 watts Continuous 2400 watts Program 4800 watts Peak*

\* NOTE: All system power handling rating are amplifier headroom dependent

<b>Nominal Impedance:</b>	4-ohms
---------------------------	--------

<b>Low Frequency:</b>	ONE SYSTEMS 12I/O ONE SYSTEMS 12CXVII
<b>High Frequency:</b>	Modified large format compression driver
<b>EASE 4.0 data:</b>	<a href="http://www.ONESYSTEMS.com">www.ONESYSTEMS.com</a>
<b>Suspension/Mounting Points:</b>	15 each M10
<b>Weather Performance:</b>	IEC 529 IP 45 (IP 56 with vent plugs installed)
<b>Dimensions, mm:</b>	749 x 368 x 414
<b>Dimensions, in:</b>	29.5 x 14.5 x 16.3
<b>Net Weight:</b>	32.8 kg (72 lb.)

# 212HC<sup>™</sup>

also ideal for outdoor spaces, where vertical control must be maintained throughout the entire vocal range. Unlike most high level vocal range systems, the One Systems 212HC is not a series of horns “nested” inside larger horns. These prior art designs suffer from poor vocal intelligibility, are characterized by that traditional “honky” horn sound and poor time domain response.

The 212HC enclosure is a copolymer optimized for high UV exposure and long life in harsh environments.

The grille is a 3-layer “rain shield” design that will minimize direct rain contact with the system’s transducers. The enclosure and grill design are rated to IEC 529 IP 45 (solid object penetration to 1 mm (0.04 inches) and water jets from any direction).

The input section consists of a 4-position barrier strip. A weather cover is provided with an integral gland nut connector for outdoor applications.

The gland nut is weather proof and is rated NEMA 6P (IP 68). The connector will accommodate cable outside diameters from 7mm to 12mm (0.236” to 0.472”). The maximum diameter will accommodate most 2 conductor AWG 12 cable assemblies.

The 212HC may be suspended using the PM4/M pole mount system or the PT76/M pan and tilt system. The PT76/M is for flat surface mounting only. Additionally, an optional U-bracket, the 112HTH-U/M is available. The system ingress protection is IP 45 in normal mode and IP 56 with the vent plugs installed.

