



ONE SYSTEMS “U” Bracket Installation

ONE SYTEMS offers a variety of “U” brackets for use with its loudspeaker systems. “U” brackets provide an easy way to achieve a vertical or horizontal wall mounting or a ceiling parallel mount for loudspeaker systems.

The following ONE SYSTEMS may be mounting using a “U” bracket.

112IM

212IM

212CIM

108IM

208CIM

112UM

115TW

WARNING: Please read and understand all portions of the “Rigging and Suspension of ONE SYSTEMS Products” article. (www.ONESYSTEMS.COM)

WARNING: All local and national codes must be observed when suspending this product. Consult a professional rigger and structural engineer experienced in suspension of these products. Consult a professional rigger familiar with the appropriate local and national codes.

WARNING: All mating surfaces (i.e. walls, ceiling, etc) must be capable of supporting the “U” bracket and loudspeaker weight and associated safety factors as required by local and national codes.

WARNING: Do not substitute the specific “U” bracket. Do not use the specific “U” bracket on any enclosure except for the enclosure specified. Do not suspend the enclosure with any “U” bracket except for the specified “U” bracket.

WARNING: All associated rigging the responsibility of others.

INSTALLATION INSTRUCTIONS

112IM and 212CIM

1. See the product view below.
2. Remove the two M10 plastic covers from the positions as shown.
3. Attach the rubber washers (1 each) over each mounting hole. One each side as shown.



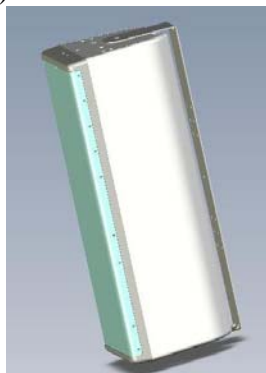
4. Mount the 112IM-U “U” bracket to the wall or ceiling surface. Insure that the bracket is properly and securely mounted and is capable of supporting the necessary weight to achieve a safe working load. This must be done by a professional rigger or structural engineer familiar with all local and national codes.

WARNING: Do not hang or otherwise suspend any other objects from the loudspeaker and “U” bracket assembly!

5. Position the 112IM or 212CIM enclosure between the “U” bracket ends. Install the two M10 bolts, flat washer and lock washers, one set on each side. This operation should be performed by at least two people. Once the enclosure is safely mounted, adjust to the desired angle and tighten the M10 bolts.

212IM

1. See product view below (Figure 1)



2. Remove the two plastic covers from the positions.
3. Attach the rubber washers (1 each) over each mounting hole as shown.
4. Mount the 212IM-U “U” bracket to the wall or ceiling surface. Insure that the bracket is properly and securely mounted and is capable of supporting the necessary weight to achieve a safe working load. This must be done by a professional rigger or structural engineer familiar with all local and national codes.

WARNING: Do not hang or otherwise suspend any other objects from the loudspeaker and “U” bracket assembly!

5. Position the 212IM between the “U” bracket ends. Install the two M10 bolts, flat washers and lock washers, one each side as shown in Figure 3. This operation should be performed by at least two people. Once the enclosure is safely mounted, adjust to the desired angle and tighten the M10 bolts.

112UM

1. See the product views below.



2. Remove the two M10 bolts from the positions as shown.
3. Attach the rubber washers (1 each) over each mounting hole as shown.
4. Mount the 112UM-U “U” bracket to the wall or ceiling surface. Insure that the bracket is properly and securely mounted and is capable of supporting the necessary weight to achieve a safe working load. This must be done by a professional rigger or structural engineer familiar with all local and national codes.

WARNING: Do not hang or otherwise suspend any other objects from the loudspeaker and “U” bracket assembly!

5. Position the 112UM between the “U” bracket ends. Install the two M10 bolts, flat washers and lock washers, one set on each side. This operation should be performed by at least two people. Once the enclosure is safely mounted, adjust to the desired angle and tighten the M10 bolts.

115TW

1. See the product views below.



2. Remove the two M10 bolts from the positions as shown.
3. Attach the rubber washers (1 each) over each mounting hole as shown.
4. Mount the 115TW-U “U” bracket to the wall or ceiling surface. Insure that the bracket is properly and securely mounted and is capable of supporting the necessary weight to achieve a safe working load. This must be done by a professional rigger or structural engineer familiar with all local and national codes.

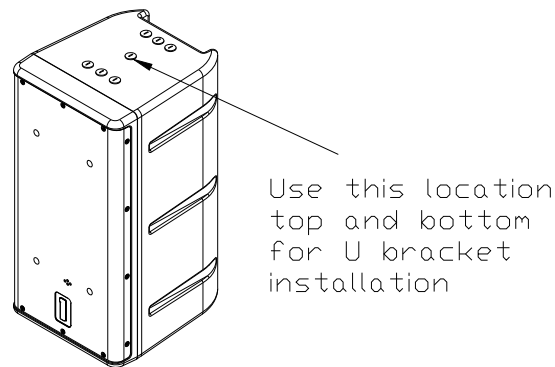
WARNING: Do not hang or otherwise suspend any other objects from the loudspeaker and “U” bracket assembly!

5. Position the 115TW between the “U” bracket ends. Install the two M10 bolts, flat washers and lock washers, one set on each side. This operation should be performed by at least two people. Once the enclosure is safely mounted, adjust to the desired angle and tighten the M10 bolts.

108IM/208CIM

1. Remove the two plastic plugs from the position shown below, one plug from the top of the enclosure and the second plug from the bottom of the enclosure.

NOTE: The “U” bracket MUST be mounted to the rigging points shown below. DO NOT USE THE OTHER M10 LOCATIONS FOR MOUNTING THE “U” BRACKET!



2. Place the rubber washers over the top and bottom “U” bracket mounting holes
3. Mount the 108IM-U “U” bracket to the wall or ceiling surface. Insure that the bracket is properly and securely mounted and is capable of supporting the necessary weight to achieve a safe working load. This must be done by a professional rigger or structural engineer familiar with all local and national codes.

WARNING: Do not hang or otherwise suspend any other objects from the loudspeaker and “U” bracket assembly!

4. Position the 108IM or 208CIM between the “U” bracket ends. Install the two M8 bolts, flat washers and lock washers, one set on each side. This operation should be performed by at least two people. Once the enclosure is safely mounted, adjust to the desired angle and tighten the M8 bolts.



One Systems USA, Inc. * 6204 Gardendale Dr. * Nashville, TN 37215
 One Systems Group Co. Ltd. * European Division * Mittelsmoorer Strasse 12 * 28879 Grassberg German
 One Systems Global Co., Ltd. * 87/114 Modern Town 15th Floor * Sukhumvit 63, Ekkamai Soi 3, Klongtoey, Bangkok, 1010 Thailand