



ONE SYSTEMS®

## OneSystems “EYE” BOLT KITS

ONE SYSTEMS offers a wide variety of enclosures that are compatible with M10 forged shoulder “eye” bolt suspension. (M8 for the 108IM and 208CIM) ONE SYTEMS offers a complete kit that consists of 4 forged shoulder eye bolts and all necessary additional hardware. Each eye bolt is made of stainless steel and is suitable for both outdoor permanent installation and indoor applications.

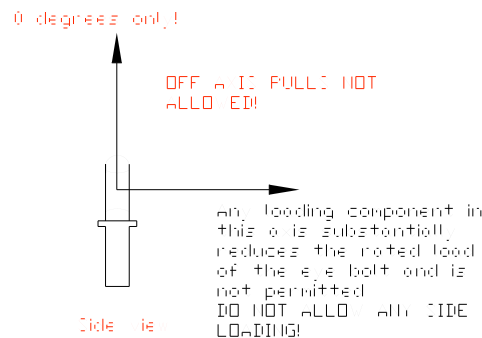
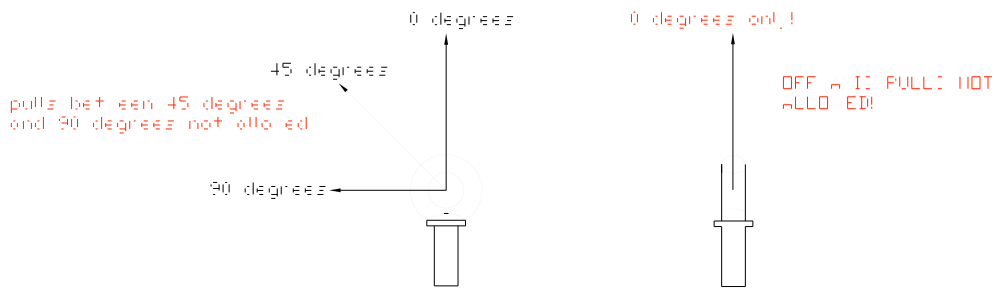
Suspending any product should only be attempted by individuals experienced and familiar with safe suspension practices. Installation of eye bolts requires a complete understanding of not only national and local codes for suspension of products, but also requires a complete understanding of the structural limitations and proper orientation of eye bolts. Information of eye bolt structural ratings can be found at [www.onesystems.com](http://www.onesystems.com). (“ONE SYSTEMS eye bolt kits”) This information is available under the “Education” tab of the ONE SYSTEMS web site and is listed along with other technical papers by One Systems. This information should be read and understood prior to attempting to suspend any products.

In addition, it is necessary to read and understand “Rigging and Suspension of ONE SYSTEMS Products”. This information is also available at [www.onesystems.com](http://www.onesystems.com), and can be found in the “Education” section of the web site under the “Education” tab.

**NOTE:** Eye bolt strength ratings vary with pull angle. It is extremely important to observe appropriate pull angles when suspending any object with Eye bolts.

The figure below illustrates allowed pull angles. Suspending any object with eyebolts should always be done to insure the resultant forces are within the allowed pull angles as shown below. The maximum rating of the Eye bolt is in a 0 degree pull. The rating decreases as the pull angle goes from 0 degrees to 45 degrees. Any pull angles between 45 degrees and 90 degrees are not allowed!

Off axis pulls are not allowed, as shown below!



**Warning: Do Not Substitute parts. Use only the One Systems M10 or M8 eye bolt kits!**

For One Systems 108IM and 208CIM enclosures two (2) “eye” bolts must be used for either a top mount, or if the enclosure is rotated into an “upside down” configuration, a bottom mount configuration. This is shown below in figure 1.

The One Systems model number for the M8 eye bolt kit is **Eye Bolt Kit M8**.

For the One Systems 112IM and 212CIM a total of three (3) M10 “eye” bolts must be used for either a top mount or bottom mount (if the enclosure is “upside down”) configuration, as shown in figure 2 below.

For the One Systems 212IM and 312CIM a total of four (4) M10 “eye” bolts must be used, as shown in figure 3 below.

The One Systems Eye Bolt kit suitable for the IM series enclosures is model number **Eye Bolt Kit**. In addition, the model number **Eye Bolt Kit – 25** should be used in conjunction with the Pole Mount System, Pole Mount System EX and PT70 safety link.

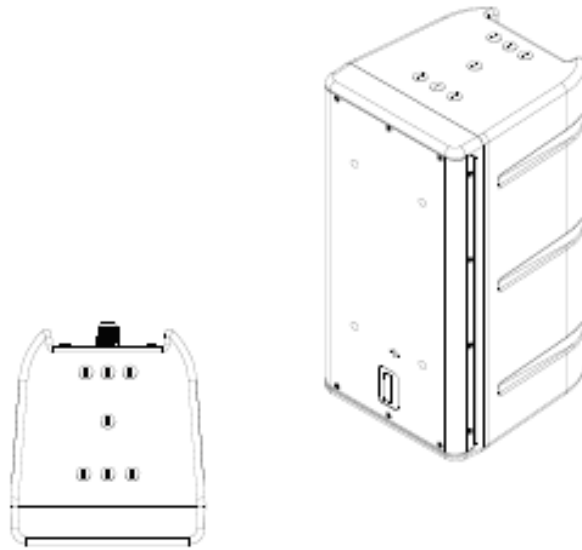


Figure 1  
108IM and 208CIM  
2 eye bolts must be used

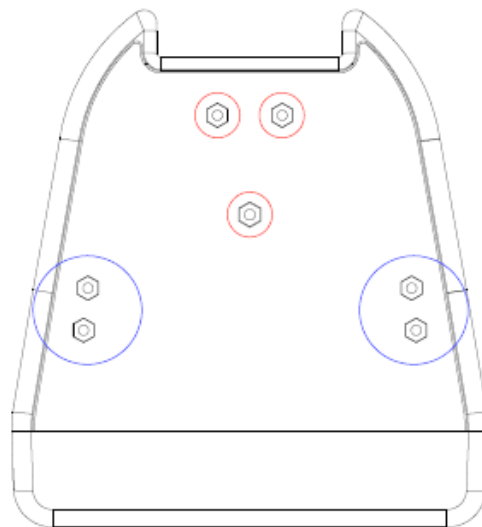


Figure 2  
112IM and 212CIM  
2 of the points circled in blue and at least 1 of the points circled in red must be used

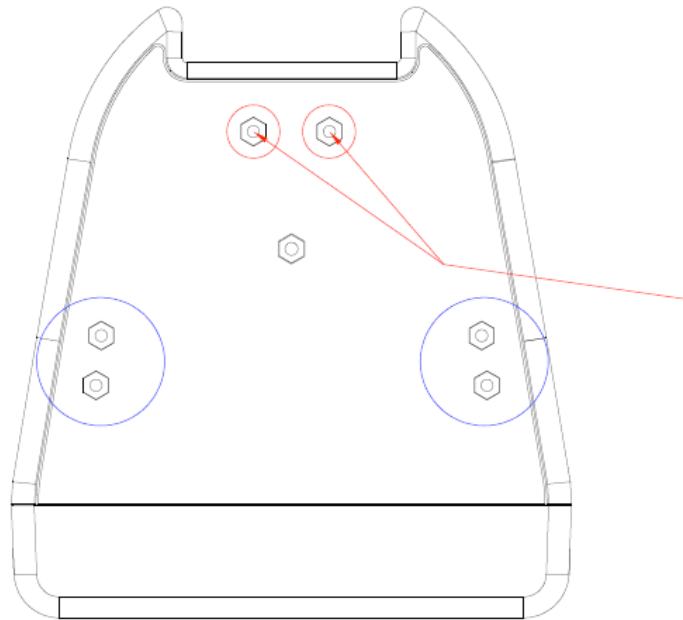


Figure 3  
212IM and 312CIM  
A total of 4 eye bolts must be used  
The rear two points circled in red MUST be used.

One Systems wood enclosures are also capable of being suspended using the Eye Bolt kit “W” versions. The M10 Eye Bolt kit suitable for use with One Systems wood enclosures are model number **Eye Bolt Kit - W**.

The One Systems 112UM and 115UM must be suspended using a minimum of 2 eye bolts. The systems may be suspended either vertically or horizontally. Figure 4 illustrates the rigging points for both the 112UM and the 115UM.

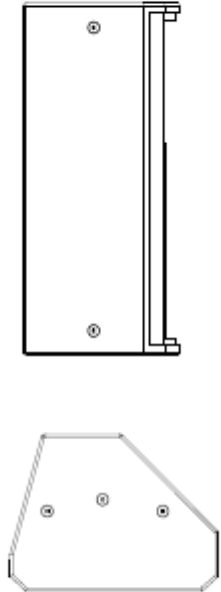


Figure 4  
112UM and 115UM  
2 eye bolts must be used

The 115RW requires 4 eye bolts be used for either vertical or horizontal suspension as shown in Figure 5 below.

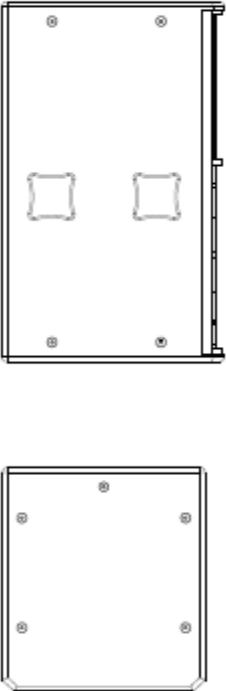


Figure 5  
115RW  
4 eye bolts must be used

The 115TW requires a total of 4 eye bolts for vertical suspension. *Horizontal suspension of the 115TW is not allowed using eye bolts.*

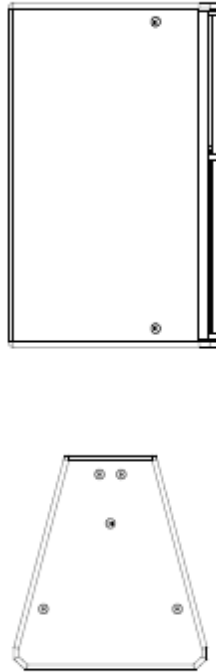


Figure 6  
115TW

4 eye bolts must be used for vertical suspension  
*Horizontal suspension is not allowed*

The One Systems 215RW requires 4 eye bolts for either vertical or horizontal suspension. Figure 7 represents this required configuration.

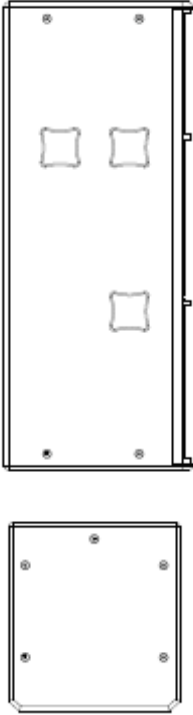


Figure 7  
215RW

Requires 4 eye bolts for either vertical or horizontal suspension.

The One Systems 212Sub-W requires 4 eye bolts for vertical suspension as shown in Figure 8 below.

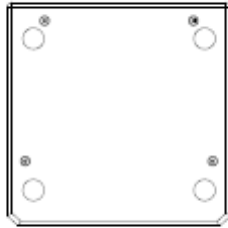


Figure 8  
The 212Sub-W requires 4 eye bolts for vertical suspension

The One Systems 118Sub-W requires 4 eye bolts for vertical or horizontal suspension as shown in Figure 9.

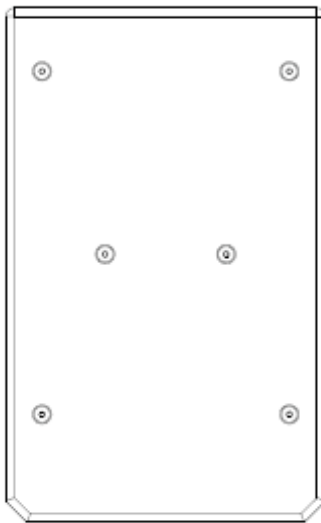


Figure 9  
118Sub-W  
Requires 4 eye bolts for either vertical or horizontal suspension

The 218Sub-W requires 6 eyebolts for vertical or horizontal suspension as shown in Figure 10.

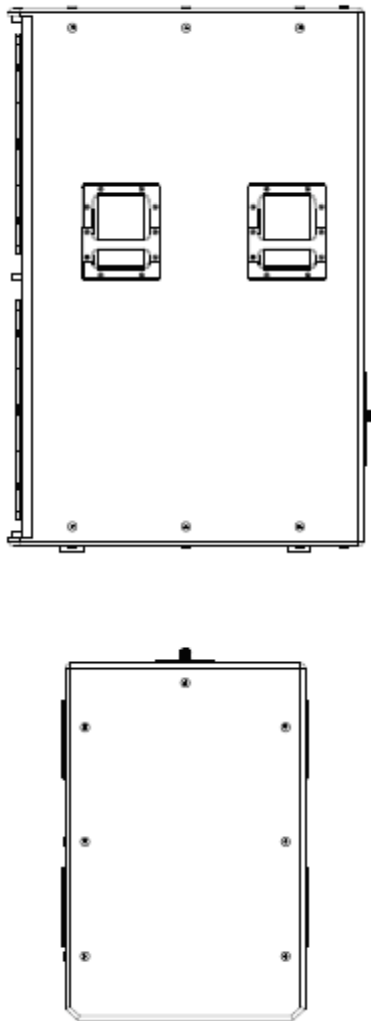


Figure 10  
218Sub-W  
Requires 6 eye bolts for either vertical or horizontal suspension.