



POLE MOUNT SYSTEM EX-2

ONE SYSTEMS®

WARNING: DO NOT attempt to mount multiple brackets side by side using the same stainless steel banding system. The stainless steel banding systems are designed for use with ONE bracket ONLY!

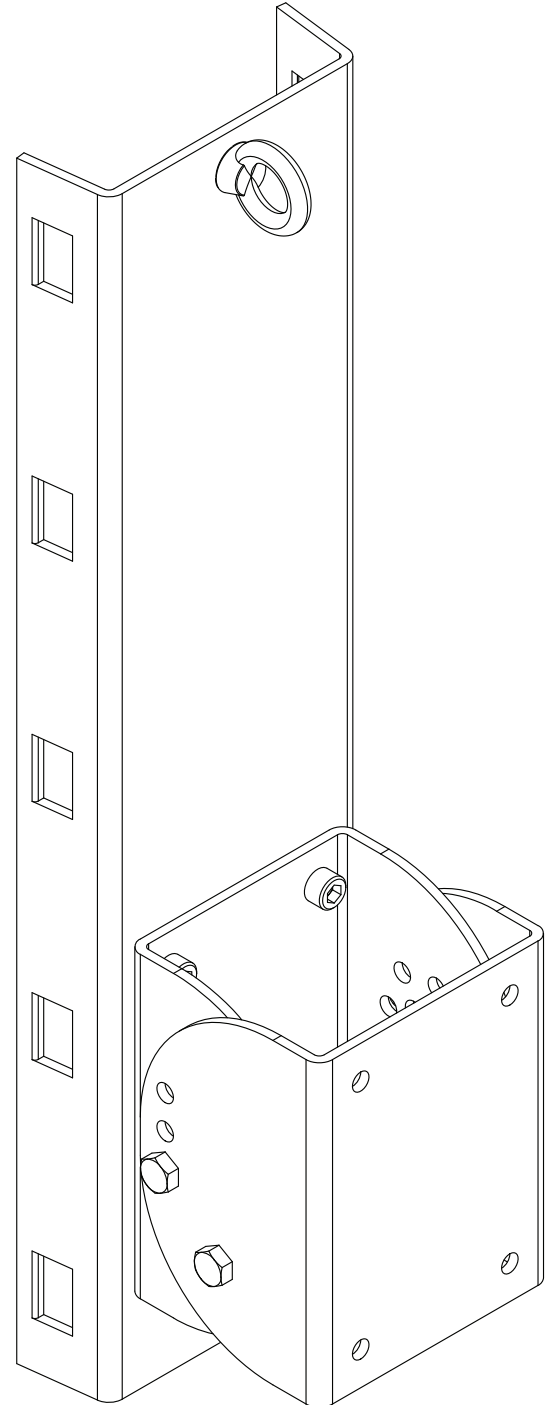
ONE SYSTEMS offers a variety of mounting systems designed to provide enhanced flexibility to our loudspeaker systems. The Pole Mount System EX-2 was designed to mount many of ONE SYSTEMS loudspeaker enclosures to a wide variety of pole diameters. Pole diameters 8 inches (203mm) or larger may be used. It is necessary to consult the pole manufacturer prior to installation to insure safe operating limits based on the pole construction, local wind patterns, and compliance with local and national codes.

The Pole Mount System EX-2 is designed to be used with the ONE SYSTEMS 212IM, 312CIM, 115TW and Cross Field Array (CFA) loudspeaker enclosures. The system consists of a pole mounting bracket that includes a tilting function. The tilt function allows down tilt, in 5 degree increments, from 0 degrees to a maximum down tilt of 35 degrees.

The Pole Mount System EX-2 also includes a Link assembly designed to also provide support for the system. The Link assembly consists of 8mm stainless steel quick links, an 8mm stainless steel turnbuckle assembly for “fine” adjustments, and links of 8mm stainless steel chain for “coarse” adjustments based on the specific degree of down tilt. The Link must be used with all pole mount installations and whenever the Pole Mount System EX-2 is used.

The Pole Mount System EX-2 is constructed from heavy gauge stainless steel and is designed for outdoor installations. The system is mounted to a pole using a stainless steel band and clamp system. The banding system and components are available from BAND-IT-IDEX Corporation. Details and sourcing information are available in the installation manual.

Mounting instructions may be found at www.ONESYSTEMS.com. Installation of the Pole Mount System EX-2 should only be attempted by experienced professionals with knowledge of mounting to pole structures.

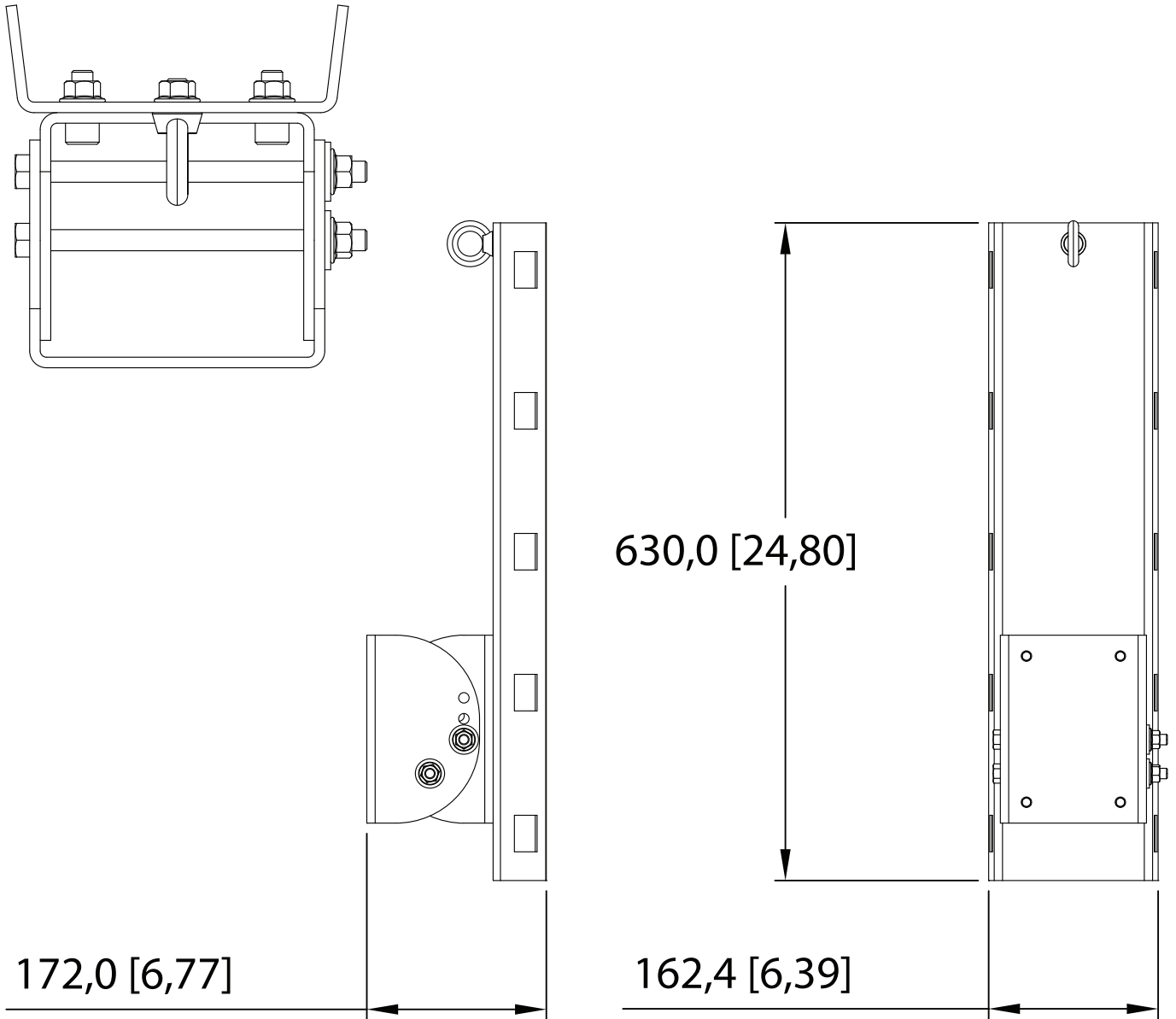


ONE SYSTEMS®



POLE MOUNT SYSTEM EX-2™

ONE SYSTEMS®



ONE SYSTEMS, Inc. • 6204 Gardendale Dr. • Nashville, TN 37215
ONE SYSTEMS Global Co., Ltd. • 87/114 Modern Town 15th Floor • Sukhumvit 63 Ekkamai Soi 3
Klongtoey, Bangkok 10110 Thailand

ONE SYSTEMS®

© 2010 ONE SYSTEMS Group, Co. LTD. All Rights Reserved