



POLE MOUNT SYSTEM

ONE SYSTEMS®

WARNING: DO NOT attempt to mount multiple brackets side by side using the same stainless steel banding system. The stainless steel banding systems are designed for use with ONE bracket ONLY!

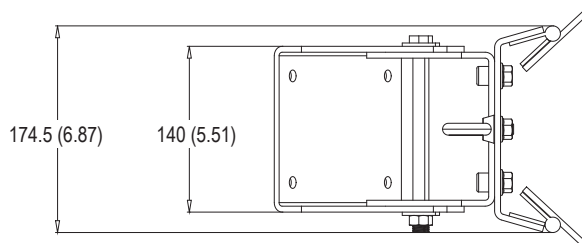
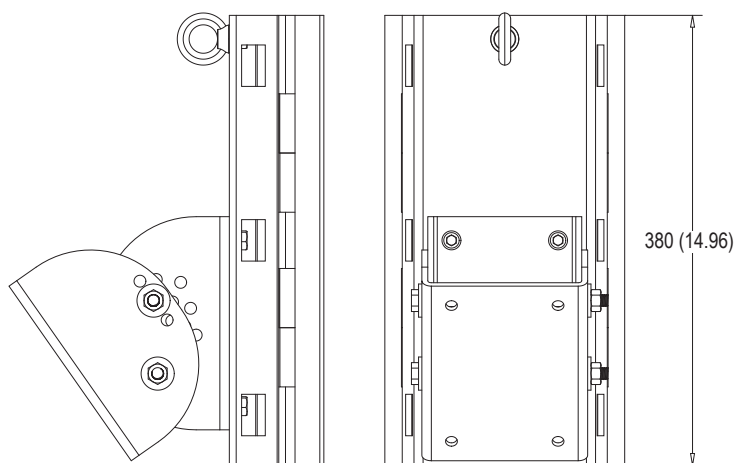
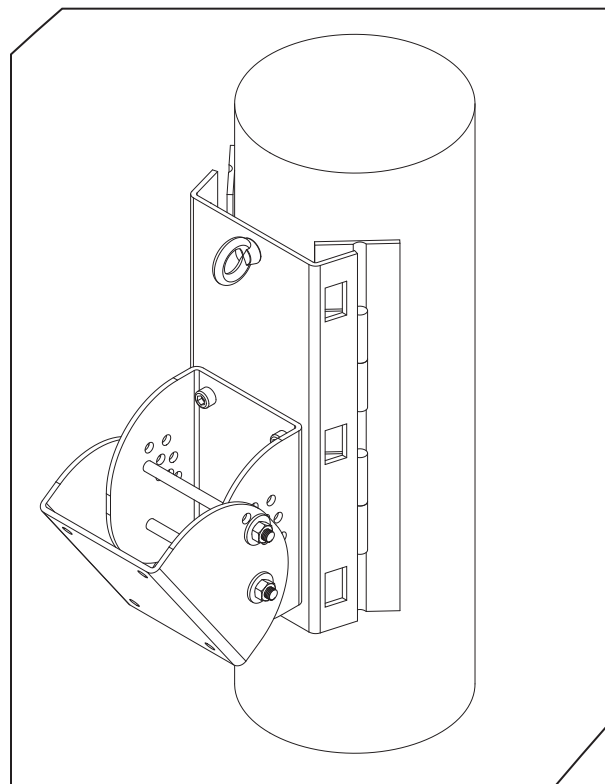
ONE SYSTEMS® offers a variety of mounting systems designed to provide enhanced flexibility to our loudspeaker systems. The Pole Mount System was designed to mount many of ONE SYSTEMS loudspeaker enclosures to a wide variety of pole diameters. Pole diameters from 8 inches (203mm) to 20 inches (508mm) may be used. (It is necessary to consult the pole manufacturer prior to installation to insure safe operating limits based on the pole construction, local wind patterns, and compliance with local and national codes).

The Pole Mount System is designed to be used with the ONE SYSTEMS 112IM™ and 212CIM™ loudspeaker enclosures. The system consists of a pole mounting bracket that includes a tilting function. The tilt function allows down tilt, in 5 degree increments, from 0 degrees to a maximum down tilt of 35 degrees.

The Pole Mount System also includes a safety assembly designed to also provide support for the system. The safety assembly, the Safety Link, consists of 8mm stainless steel quick links, an 8mm stainless steel turnbuckle assembly for “fine” adjustments, and links of 8mm stainless steel chain for “coarse” adjustments based on the specific degree of down tilt. The Safety Link must be used with all pole mount installations and whenever the Pole Mount System is used.

The Pole Mount System is constructed from heavy gauge stainless steel and is designed for outdoor installations. The system is mounted to a pole using a stainless steel band and clamp system. The banding system and components are available from BAND-IT-IDEX® Corporation. Details and sourcing information are available in the installation manual.

Mounting instructions may be found at www.ONESYSTEMS.com. The specific document is “Pole Mount System Mounting and Installation Instructions”. Installation of the Pole Mount System should only be attempted by experienced professionals with knowledge of mounting to pole structures.

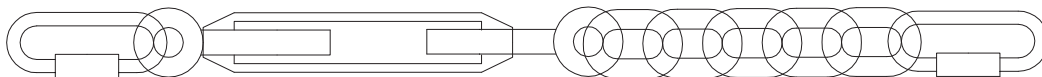
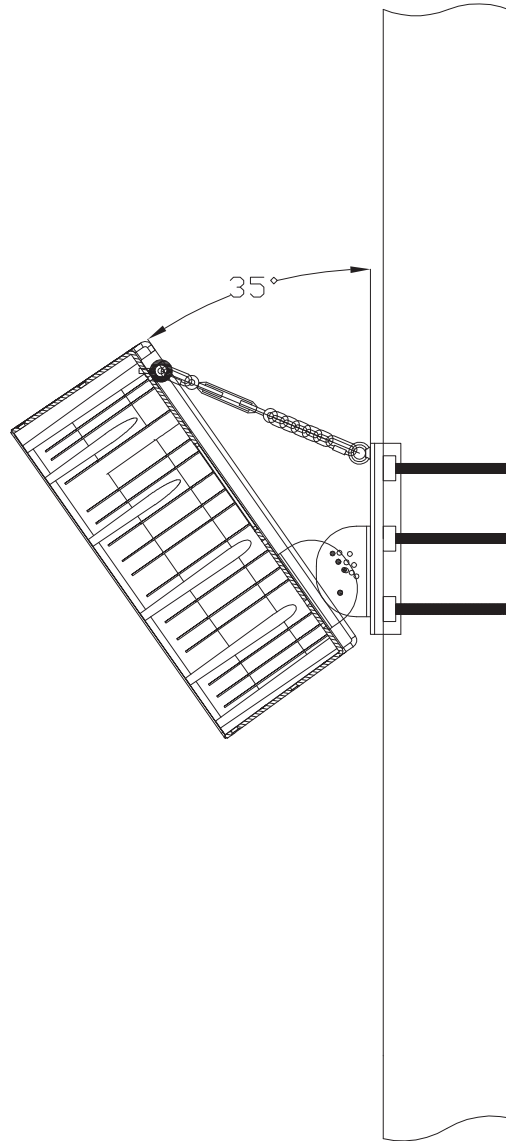
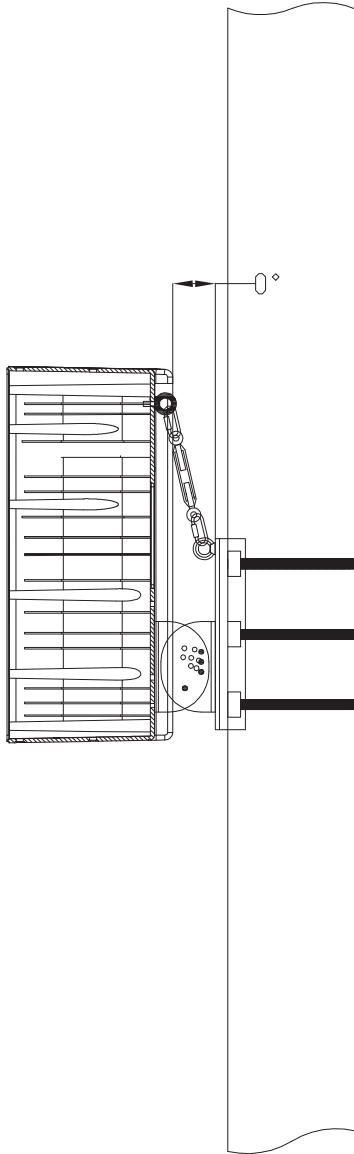


ONE SYSTEMS®



POLE MOUNT SYSTEM

ONESYSTEMS®



ONESYSTEMS USA, Inc. • 6204 Gardendale Dr. • Nashville, TN 37215
ONESYSTEMS Group - European Division • Mittelsmoorer Strasse 12 • 28879 Grasberg Germany
ONESYSTEMS Global Co., Ltd. • 87/114 Modern Town 15th Floor • Sukhumvit 63 Ekkamai Soi 3
Klongtoey, Bangkok 10110 Thailand

© 2008 ONESYSTEMS Group, Co. LTD. All Rights Reserved

ONESYSTEMS®