



PT-70™ PAN & TILT BRACKET

WARNING: DO NOT attempt to mount multiple brackets side by side using the same stainless steel banding system. The stainless steel banding systems are designed for use with ONE bracket ONLY!

ONE SYSTEMS®

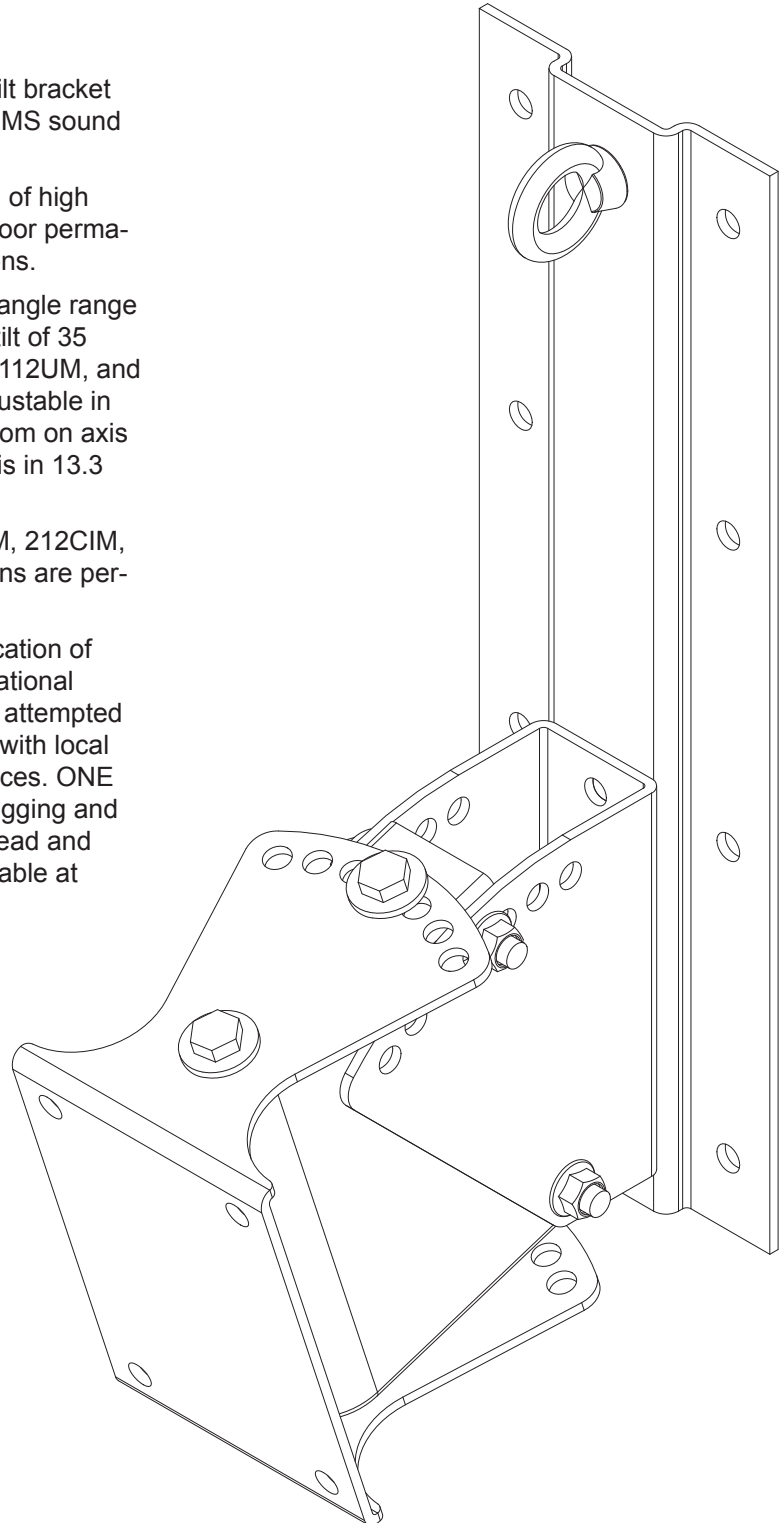
The ONE SYSTEMS® PT-70™ is a pan and tilt bracket designed for use with a variety of ONE SYSTEMS sound reinforcement enclosures.

All components of the PT-70 are constructed of high quality stainless steel and are suitable for outdoor permanent installation as well as for indoor applications.

The ONE SYSTEMS PT-70 provides a “tilt” angle range from vertical (0 degrees) to a maximum down tilt of 35 degrees. (35 degrees for 112IM, 212CIM, and 112UM, and 30 degrees for the 115TW) The tilt angle is adjustable in 5 degree increments. The “pan” angle varies from on axis to 40 degrees either side of the longitudinal axis in 13.3 degree increments.

The PT-70 is designed for use with the 112IM, 212CIM, 112UM, and 115TW enclosures. No substitutions are permitted.

It is necessary that the installation and application of all suspended products conform to local and national codes. Installation of the PT-70 should only be attempted by an experienced professional that is familiar with local and national codes and safe suspension practices. ONE SYSTEMS also requires that the document “Rigging and Suspension of ONE SYSTEMS Products” be read and completely understood. This document is available at www.onesystems.com

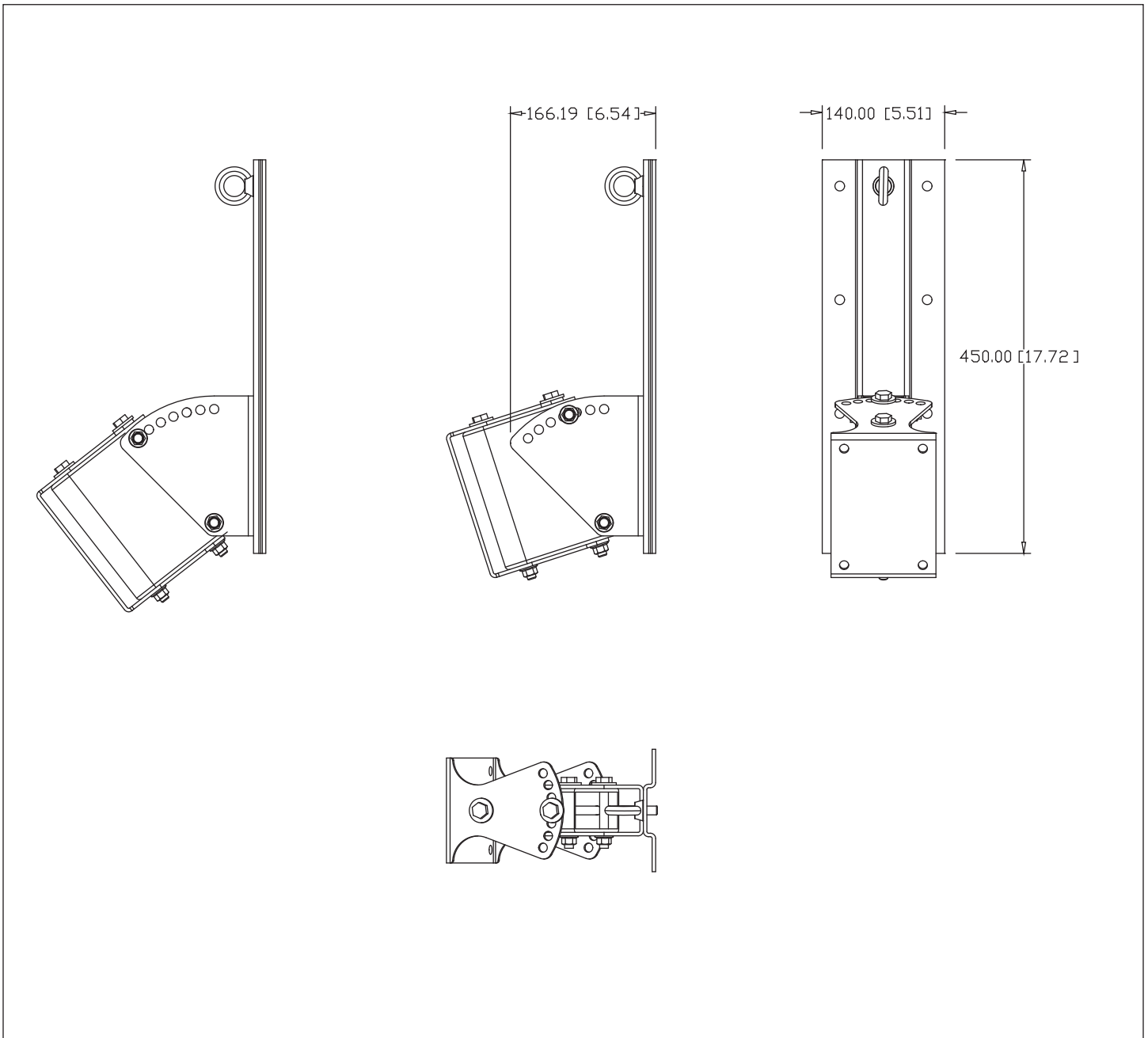


ONE SYSTEMS®



PT-70™ PAN & TILT BRACKET

ONE SYSTEMS®



ONE SYSTEMS USA, Inc. • 6204 Gardendale Dr. • Nashville, TN 37215
ONE SYSTEMS Group - European Division • Mittelsmoorer Strasse 12 • 28879 Grasberg Germany
ONE SYSTEMS Global Co., Ltd. • 87/114 Modern Town 15th Floor • Sukhumvit 63 Ekkamai Soi 3
Klongtoey, Bangkok 10110 Thailand

© 2008 ONE SYSTEMS Group, Co. LTD. All Rights Reserved

ONE SYSTEMS®