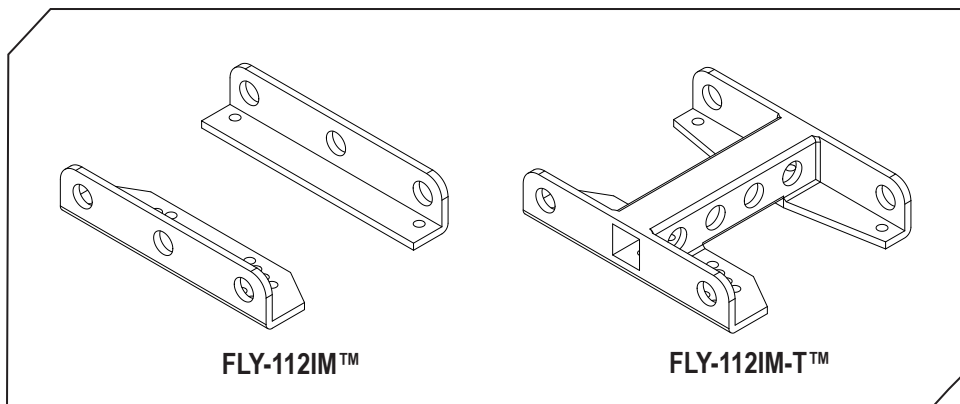




# FLY 112IM™/112IM-T™ Array

## SOUND REINFORCEMENT ENCLOSURE FLY BRACKETS

**ONE SYSTEMS®**



The ONE SYSTEMS® 112IM™ sound reinforcement enclosure may be flown in planar arrays using either the FLY-112IM™ or the FLY-112IM-T™. The FLY-112IM is a “simple” system consisting of both angled top fly brackets and flat lower fly brackets. The FLY-112IM-T is a “T” bar design that consists of a top “T” fly bar and flat lower fly brackets. Either flying system is designed to provide versatile and easy to use arrays for the 112IM, 212CIM, and the 212IM. Arrays may also be produced using combinations of the 112IM and 212CIM along with the 212Sub-W. Arrays using the FLY-112IM or FLY-112IM-T should only be made with enclosures of equal height.

Each FLY bracket component is constructed of high quality stainless steel and is suitable for both outdoor permanent installation as well as indoor applications.

The FLY-112IM is a “simple” array bracket system that will allow planar arrays of multiple 112IM's or 212CIM's. These arrays may also include the 212Sub-W when additional bass is required. The simple fly brackets allow for 5 degree aiming resolution between enclosures. The FLY-112IM is designed for use in 1 deep arrays. (A single layer of enclosures is allowed. No enclosures may be suspended below the top row of enclosures.) Under no circumstances should more than one row of enclosures be used with the FLY-112IM.

The FLY-112IM-T is designed for two deep arrays where a top layer of 112IM's, 212CIM's, or 212Sub-W's may be configured for long throw applications using the ET-60/40 high frequency horns and a 2nd layer is configured with the ET-105/60 for short throw, or down fill applications. In this two deep configuration the ONE SYSTEMS DF-IM down fill bracket may also be used for the lower row of enclosures. Under no circumstances should more than two rows of enclosures be used with the FLY-112IM-T.

Complete installation and sample array configurations (ONE SYSTEMS Array/Fly Bracket Installation) may be found on the ONE SYSTEMS Web site. ([www.onesystems.com](http://www.onesystems.com)).

It is necessary that the installation and application of all suspended products conform to local and national codes. Installation of the FLY-112IM and FLY-112IM-T should only be attempted by an experienced professional that is familiar with local and national codes and safe suspension practices. ONE SYSTEMS also requires that the document “Rigging and Suspension of ONE SYSTEMS Products” be read and completely understood. This document is available at [www.onesystems.com](http://www.onesystems.com)

