



212CIM™

LIGHTWEIGHT COPOLYMER-BASED ALL-WEATHER LOUDSPEAKER SYSTEM

ONE SYSTEMS®

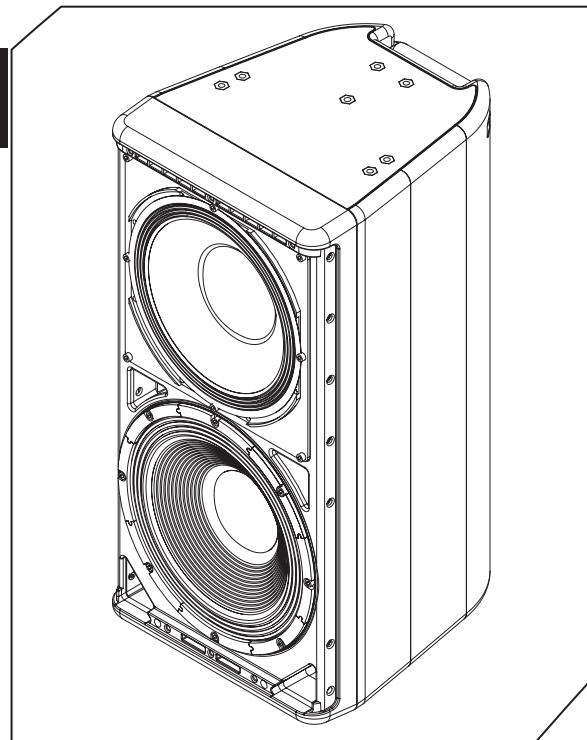
The One Systems® 212CIM™ is a compact high-output loudspeaker system. The 212CIM was designed to produce very high sound pressure level vocal range material with extraordinary intelligibility. Unlike most compact high-level vocal range systems, the 212CIM is not a series of horns “nested” inside larger horns. These prior art designs suffer from poor vocal intelligibility and are characterized by traditional “honky” horn coloration. The 212CIM is a very compact dual 12-inch system that uses a single coaxially mounted high frequency horn and driver to enhance higher-frequency vocal information. The vocal fundamentals are reproduced by a 2-element direct radiator design that side steps the traditional colorations found in horn systems. The 212CIM is basically a compact, 2-element dual 12-inch vertical array where the top 12-inch incorporates a coaxially mounted, large-format compression driver.

The 212CIM may be used in direct weather outdoor installations as well as indoor applications where high vocal intelligibility and accuracy are required. Like all One Systems products, the 212CIM was designed to not only offer excellent full-range fidelity but superior vocal reproduction and intelligibility as well. For full-range applications, the 212CIM may be coupled with the One Systems 112IM-Sub, 118Sub-W, 212Sub-W or 218Sub-W to provide full bandwidth response with very high sound pressure levels in reasonably sized packages.

There is a complete selection of array and hanging/suspension hardware available for the 212CIM. The 212CIM is also available with a 600-watt, 3-tap autoformer (150 watt, 300 watt, 600 watt taps).

The 212CIM is optimized for outdoor applications such as football stadiums, baseball stadiums, racetracks and other sports venues where permanent installation is required as well as being able to handle direct weather exposure. The system is particularly suited for high-level announcements and general vocal range reproduction. The system is equally suited for general-purpose indoor applications in multipurpose rooms, indoor sports venues and general performance or vocal-intensive applications.

The 212CIM enclosure is a copolymer optimized for high UV exposure and long life in harsh environments. All internal and external rigging and suspension hardware, as well as the metal grill are made of stainless steel or high-strength aluminum. The grill is a 3-layer “rain shield” design that minimizes direct rain contact with the system’s transducers. The



FEATURES & BENEFITS

- » Response-optimized for high intelligibility and superb vocal articulation
- » Dual 12-inch drivers have the air-moving capability of typical 15-inch systems from a much smaller enclosure
- » 1,200 watts continuous, 4,800 watts peak power handling and high 99 dB sensitivity ensures very high output capability
- » One Systems 12CX transducer with coaxially-mounted compression driver delivers 60° conical coverage with ultra-low time-delay distortion
- » Available in black or white, low-impedance or transformer-coupled versions
- » 19 x M10 suspension points and a wide range of optional accessories permit tremendous installation flexibility

SPECIFICATIONS

Frequency Response:	75 Hz – 16,000 Hz
Coverage Pattern:	60 degrees conical
Passive Crossover Frequency:	1,800 Hz
Inputs:	4-position barrier strip and 2 x 4 pin Neutrik Speakons
System Sensitivity (1 watt / 1 meter):	99 dB
Power Handling:	1,200 watts cont., 2,400 watts prgm, 4,800 watts peak*



212CIM™

LIGHTWEIGHT COPOLYMER-BASED ALL-WEATHER LOUDSPEAKER SYSTEM

ONE SYSTEMS®

unique vent design also allows for easy moisture drainage from the interior of the enclosure. The enclosure and grill design are rated to IEC 529 / IP 45 (solid object penetration to 1 mm (0.04 inches) and water jets from any direction). The enclosure and the components are tested to Mil Spec 810.

The 212CIM's input section consists of a stainless steel hardware barrier strip and two Neutrik® Speakon® input connectors. A weather cover is provided with an integral gland nut connector for use in outdoor applications.

In the outdoor configuration, connections are made through the 4-position barrier strip. The input panel is protected by a weather cover that includes a gland nut. The gland nut is weatherproof and is rated NEMA 6P (IP 68). The connector will accommodate cable outside diameters from 7 mm to 12 mm (0.236" to 0.472"). The maximum diameter will accommodate most 2-conductor AWG 12 cable assemblies. The 212CIM is also optionally available in a white enclosure equipped with 316-grade, marine-quality stainless steel grille and hardware (212IM-W-Marine) for use at sea or in other corrosive environments.

With its unique combination of smooth sound, high output capability, flexible mounting and direct-weather capability, the 212CIM is a compact system that's a perfect solution for many applications.

SPECIFICATIONS (cont.)

Nominal Impedance:	4 ohms
Low Frequency driver:	12I/O woofer
High Frequency driver:	12CX 12" Coax with Large Format Compression Driver
Processor Settings (Bi-amp mode):	see onesystems.com
EASE 4.0 data:	see onesystems.com
Suspension/Mounting points:	19 x M10
Weather Performance:	IEC 529 / IP 45 / Mil Spec 810
Dimensions (H x W x D) mm:	748 x 368 x 398.3
Dimensions (H x W x D) in:	29.5 x 14.5 x 15.7
Net Weight:	32.8 kg / 72 lb.
70.7 / 100-volt versions:	36.1 kg / 79.3 lb
Shipping Weight:	40 kg / 88 lb.
70.7 / 100-volt versions:	43.2 kg / 95.04 lb
Optional Accessories:	112IM-U U-Bracket kit; M10 Forged Shoulder Eye Bolt Kit; PT70-2 Pan & Tilt bracket; PT-76 Pan/Tilt/Pole Mount Bracket, and Pole Mount System-3
Additional Supporting Systems:	212Sub-W and 112IM-Sub subwoofers (Simple and "T" planar arrays); ; 118Sub-W; 218Sub-W

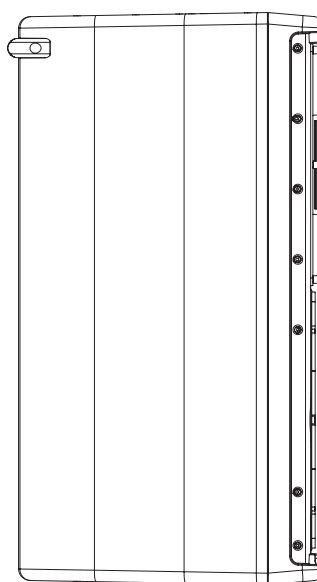
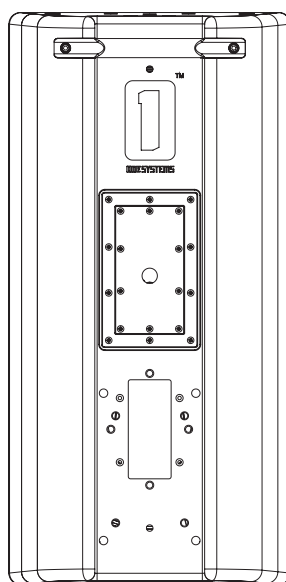
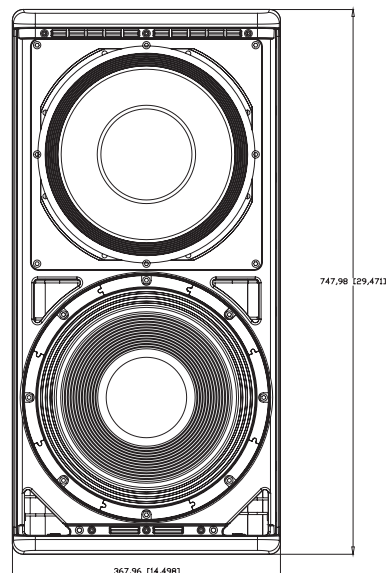
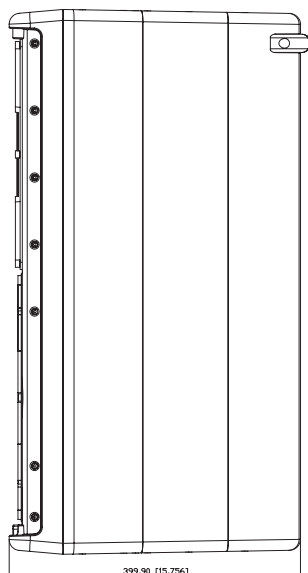
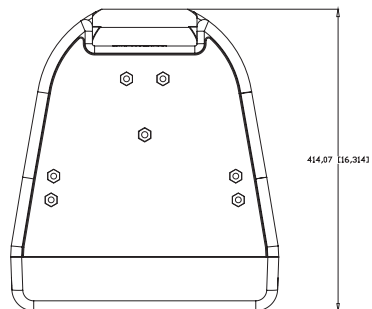
* All power handling ratings are amplifier headroom dependent



212CIM™

LIGHTWEIGHT COPOLYMER-BASED ALL-WEATHER LOUDSPEAKER SYSTEM

ONE SYSTEMS®



ONE SYSTEMS®

One Systems, Inc • 6204 Gardendale Dr. • Nashville, TN 37215
One Systems Global Co. Ltd. • 87/114 Modern Town 15th Floor • Sukhumvit 63 Ekkamai Soi 3
Klongtoey, Bangkok 10110 Thailand