

1

118SUB-W™

18" HIGH-OUTPUT LOW FREQUENCY
SUBWOOFER SOUND REINFORCEMENT
SYSTEM

ONE SYSTEMS®

The 118Sub-W™ is a single 18" high output low frequency sub woofer sound reinforcement system. The system utilizes a rectangular enclosure geometry. This geometry provides increased low frequency response due to its larger internal volume, as compared to a conventional trapezoidal enclosure. This design is intended for applications where the 118Sub-W is used in conjunction with the 115TW™ or 115RW™ ONE SYSTEMS® enclosures.

The 118Sub-W may be used in outdoor installations as well as indoor applications where high output and accuracy are required. The unique design of the 18 inch 18I/O woofer provides an excellent combination of high sound pressure levels and low distortion.

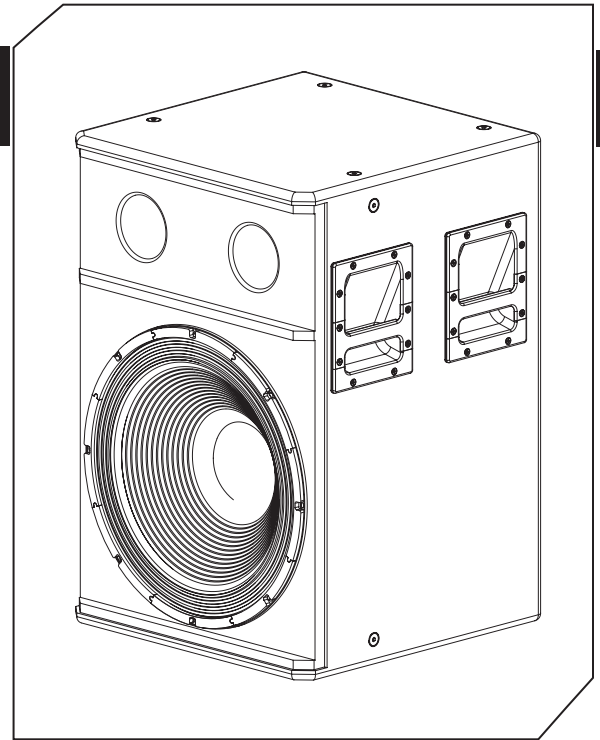
The ONE SYSTEMS 118Sub-W features an 18mm birch rectangular plywood enclosure that utilizes stainless steel internal structural supports to enable a variety of suspension points.

The grill is a 3 layer "rain shield" design that will minimize direct rain contact with the systems transducers. All internal and external metal hardware, as well as the grill, are stainless steel. The enclosure and grill design are rated to IEC 529 IP45 (solid object penetration to 1 mm (0.04 inches) and water jets from any direction). The enclosures and components are also rated to Mil Spec 810.

The input section consists of both 4 pin Neutrik® Speakons® as well as a stainless steel hardware barrier strip. A weather cover is provided with an integral Gland nut connector for outdoor applications. In the outdoor configuration connections are made thru the 4 position barrier strip.

The Gland nut is weather proof and is rated NEMA 6P (IP68). The connector will accommodate cable outside diameters from 7mm to 12mm (0.236" to 0.472"). The maximum diameter will accommodate most 2 conductor AWG 12 cable assemblies.

The low frequency design is patent pending. The 18 inch 18I/O woofer (Inside Only) utilizes a unique voice coil wind on the inside of the voice coil support structure. This design allows for both high magnetic system displacement as well as increased thermal transfer. This results in reduced power compression and higher reliability.



FEATURES & BENEFITS

- » Weather Resistant 18" low frequency system.
- » Rectangular Enclosure Geometry for Optimized Bass
- » Optimized for use with the 115TW™ and 215RW™
- » 18 inch 18I/O ONE SYSTEMS woofers
- » Patent Pending large voice coil low frequency transducer.
- » Multiple M10 flying points.
- » Available Array brackets Planar arrays
- » Gland Nut and Speakon inputs
(Weather cover for Gland nut installations).

SPECIFICATIONS

Frequency Response:	40Hz - 150Hz
Coverage Pattern:	Essentially omnidirectional
Crossover Frequency:	Recommended 80Hz (150z max)
Sensitivity:	98dB (1 watt at 1 meter half space) 95dB (1 watt at 1 meter full space)
Power Handling:	800 watts continuous, 1600 watts program, 3200 watts peak*
Nominal Impedance:	8 ohms

1

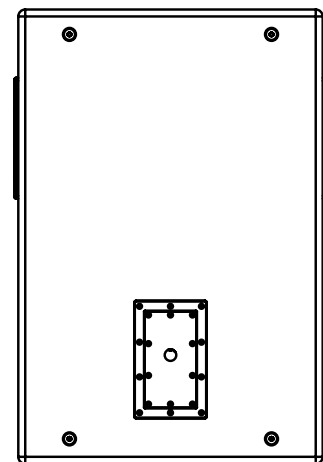
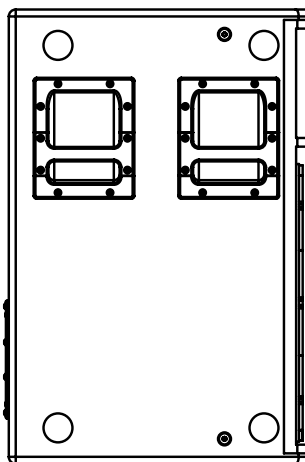
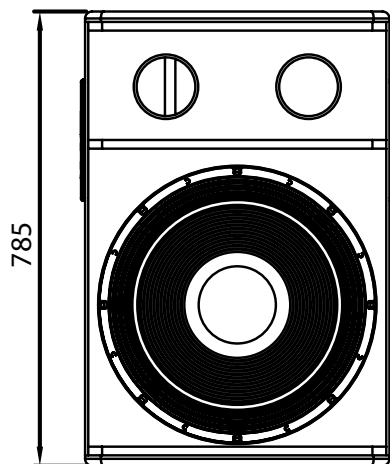
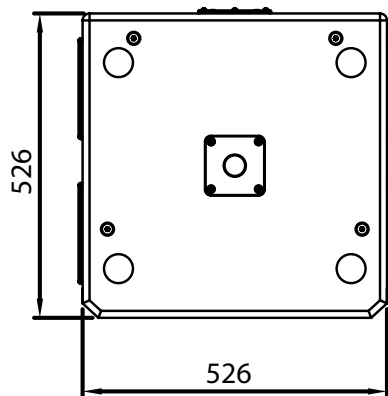
118SUB-W™

18" HIGH-OUTPUT LOW FREQUENCY
SUBWOOFER SOUND REINFORCEMENT
SYSTEM

ONE SYSTEMS®

Because the ONE SYSTEMS 118Sub-W is designed for permanent installation applications a variety of rigging and suspension options are available. The 118SubW has 16 M10 mounting points.

An M10 forged shoulder eye bolt kit is available for all M10 suspension points.



SPECIFICATIONS (continued)

Weather Performance:	IEC 529 IP 45 Mil Spec 810
Low Frequency:	ONE SYSTEMS 18 I/O (2 each)
High Frequency:	N/A
System Tunings (Bi-amp mode):	ONESYSTEMS.com
EASE 4.0 data:	ONESYSTEMS.com
Suspension/Mounting points:	16 each M10
Dimensions (H x W x D):	31 in x 20.75in x 20.75in 78.74 cm x 52.70 cm x 52.70 cm
Net Weight:	42.2 kg (93.5 lb)
Optional Accessories:	M10 Forged Shoulder Eye Bolt
Additional Supporting Systems:	115TW, 115RW, 212IM

ONE SYSTEMS®

One Systems USA, Inc • 6204 Gardendale Dr. • Nashville, TN 37215
One Systems Global Co. Ltd. • 87/114 Modern Town 15th Floor • Sukhumvit 63 Ekkamai Soi 3
Klongtoey, Bangkok 10110 Thailand