



# 115TW-A™

## 15" TWO-WAY POWERED SOUND REINFORCEMENT SYSTEM

ONE SYSTEMS™

The 115TW-A™ is a 15" two way powered sound reinforcement system. The 115TW-A features 1500 watts of peak output power. The pre amp section utilizes a 24 bit digital signal processor and Ethernet communications capability. A switch mode power supply and class D output sections for both low pass and high pass provide high output power and high reliability. A low frequency peak power rating of 1000 watts and a high frequency peak rating of 5000 watts coupled to the DSP based 4th order Linkwitz-Riley crossover provide ideally balanced spectral response.

There are a variety of user accessible control and monitoring features available via the Ethernet connection and PC software. Systems control features are gain, equalization, delay and a variety of crossover presets. The 115TW-A also allows remote fault status and amplifier temperature monitoring. The input section is a fully balanced XLR with XLR loop-through. System level may be controlled either via the input panel potentiometer or remotely via a PC link.

The ONE SYSTEMS 115TW features an 18mm birch plywood enclosure that utilizes stainless steel internal structural supports to enable a variety of suspension points. The trapezoidal enclosure geometry allows close pack array configurations and the available suspension accessories make the 115TW-A a very versatile installation based loudspeaker system.

The grill is a 3 layer grille design offers maximal protection to all transducers in the system. All internal and external metal hardware, as well as the grill, are stainless steel.

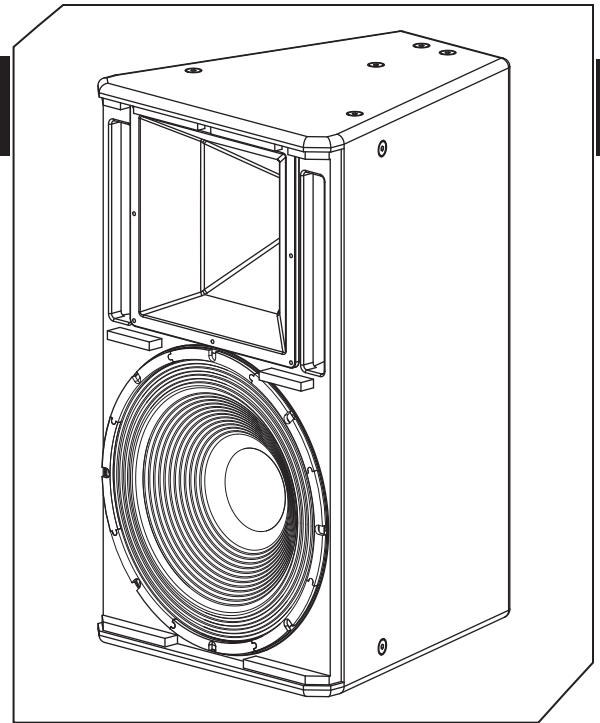
The basic design utilizes a patent pending high frequency driver that will accommodate a variety of high frequency radiation patterns. There are two fully rotatable high frequency horns available. Both horns are ET designs that offer

extended bandwidth polar control and very low distortion. The ET-105/60 is a 105 degree horizontal by 60 degree vertical pattern and may be rotated to also provide a 60 degree horizontal by 105 degree vertical for short throw and down-fill applications. The second horn, the ET-60/40 is designed for medium to long throw applications. It offers a 60 degree horizontal by 40 degree vertical radiation pattern and is also fully rotatable. Although the 115TW-A is shipped with the ET-60/40 horn installed the ET-105/60 is also included. (Please see the 115TW-A owners manual for full programming instructions at [www.ONESYSTEMS.com](http://www.ONESYSTEMS.com)).

The patent pending ET driver (full details are available at the ONE SYSTEMS web site, [www.ONESYSTEMS.com](http://www.ONESYSTEMS.com)) is a unique "equivalent throat" design that allows the radiation pattern to be controlled by the phase plug summation plane rather than the conventional "exit diameter" at the end of the driver structure. This feature provides extended high frequency dispersion. The ET driver has a large format titanium diaphragm and a close spaced circumferential ring phase plug to insure extended high frequency bandwidth.

The low frequency design is also patent pending. The 15 inch 15I/O woofer (Inside Only) utilizes a unique voice coil wind on the inside of the voice coil support structure. This design allows for both high magnetic system displacement as well as increased thermal transfer. This results in reduced power compression and higher reliability.

Because the ONE SYSTEMS 115TW-A is designed for permanent installation a variety of rigging and suspension options are available. The 115TW has 14 M10 mounting points and 6 each 3/8 inch (0.375") points. The 3/8 inch mounting points are compatible with the Omni Mount series 120 hardware as well as the 115TW-U "U" bracket.



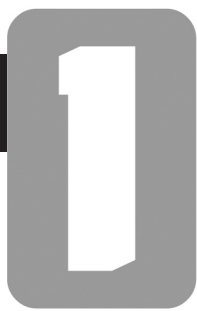
### FEATURES AND BENEFITS

- Bi-amplified loudspeaker system with Ethernet Communications
- On board DSP with multiple presets available
- PC communications enabled
- Status monitoring features
- Trapezoidal Enclosure Geometry
- ET Fully rotatable and interchangeable high frequency horns.
- Patent Pending large format titanium/neodymium compression driver.
- Patent Pending large voice coil low frequency transducer.
- Multiple M10 and 3/8" flying points.

### SPECIFICATIONS

Frequency Response:	50Hz – 16kHz
Coverage Pattern:	105H x 60V (ET105/60) 60H x 40V (ET60/40)
Active Crossover Frequency:	1300 Hz (ET105/60) 1800 Hz (ET60/40)
Inputs:	XLR & XLR loop-through
System Sensitivity: (1 watt-1 meter)	96dB
Output Power Total:	1500 watts peak 750 watts cont.
Low Frequency:	1000 watts Peak 500 watts cont.
High Frequency:	500 watts peak 250 watts cont.
System Processing:	24 bit DSP
Network connection:	Ethernet with RJ45 connection
AC Mains Voltage range:	Rear panel switchable 90 volts to 132 volts AC or 176 volts to 264 volts AC

ONE SYSTEMS™



# 115TW-A

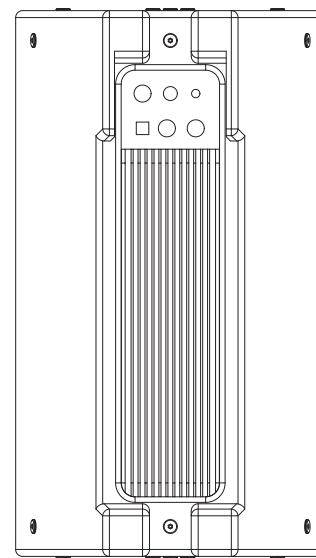
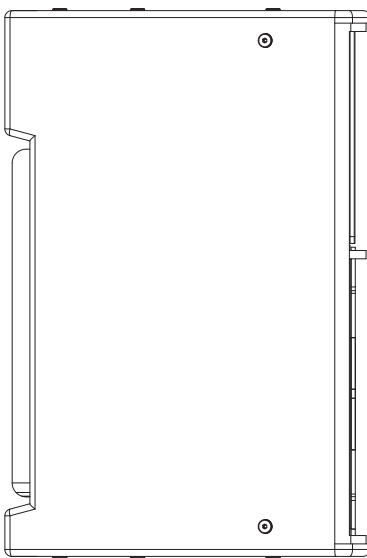
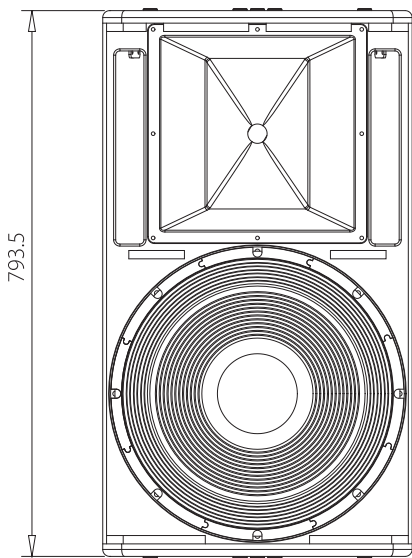
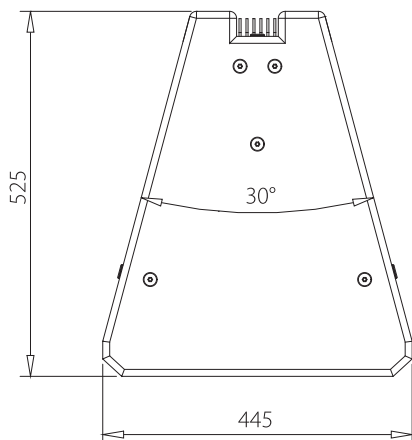
## ONE SYSTEMS

An M10 forged shoulder eye bolt kit is available for all M10 suspension points.

The 115TW-A may be suspended as a single unit using the ONE SYSTEMS "U" bracket in either a vertical or horizontal configuration. The "U" bracket is a ONE SYSTEMS 115TW-U

There are also two planar array systems available. A "simple" planar array that will allow multiple 115TW-A's or an array of 115TW-A's and a 118Sub-A powered sub woofer. The simple array bracket will allow for 1 deep planar arrays. This array provide for 5 degree horizontal aiming steps. The simple array bracket is the FLY-115TW

There is also a "T" bracket that will allow planar arrays of two deep, where the second row consists of additional 115TW-A enclosures in a down fill orientation.



## SYSTEM SPECIFICS

Low Frequency:	ONE SYSTEMS 15 I/O
High Frequency:	ONE SYSTEMS ET Driver
System Tunings (Bi-amp mode):	www.ONESYSTEMS.com
EASE 4.0 data	www.ONESYSTEMS.com
Suspension/Mounting points:	18 each M10 12 each 3/8 inch (0.375")
Dimensions (H x W x D):	793.5mm x 444.5mm x 525mm (31.24 in x 17.5 in x 20.67 in)
Net Weight:	45.7 kg (101.5 lb)
Optional Accessories:	115TW-U "U" bracket kit FLY-115TW FLY-115TW-T M10 Forged Shoulder Eye Bolt
Additional Supporting Systems:	118Sub-A Powered subwoofer
Pre Amp Features:	
Input Section:	Gain and Mute Delay (1.9 s max) Low Shelf High Shelf 2XPEQ
Output Section (2X):	HPF (24dB/oct L-R) LPF (24dB/oct L-R) 2XPEQ Delay Gain and Mute Limiter

The "T" bracket also provides for 5 degree horizontal aiming increments. The "T" bracket is the FLY-115TW-T

The 115TW-A may be mounted in selected installations (when permitted by local codes and appropriate substrates) using an Omni Mount series 120 bracket.