



**ONE SYSTEMS®**

# 112IMSUB™

## Subwoofer Sound Reinforcement System

The 112IM Sub is a single 12" high output low frequency sub woofer sound reinforcement system. The system utilizes an injection molded enclosure designed for use in direct weather applications. This product is intended for applications where additional

low frequency acoustic output is required in conjunction with the 112IM or 212CIM One Systems enclosures.

The 112IM Sub may be used in outdoor installations as well as indoor applications. The 112IM Sub may be used in outdoor installations as well as indoor applications where extended low frequency output or additional bass response is required. The unique design of the 12 inch 12I/O woofer provides an excellent combination of high sound pressure levels and low distortion.

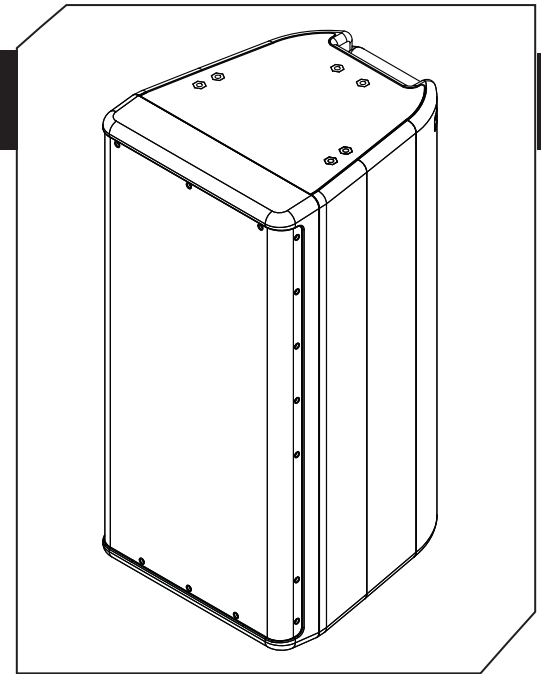
The ONE SYSTEMS 112IM Sub features a thick wall trapezoidal enclosure that utilizes internal structural supports and stainless steel rigging points to enable the enclosure to be used in a wide variety of permanently installed applications. The grill is a 3 layer "rain shield" design that will minimize direct rain contact with the systems transducers. All internal and external rigging hardware, as well as the grill, are stainless steel. The enclosure and grill design are rated to IEC 529 IP45 (solid object penetration to 1 mm (0.04 inches) and water jets from any direction). The enclosures and components are also designed to Mil Spec 810.

The input section consists of both 4 pin Neutrik Speakons as well as a stainless steel hardware barrier strip. A weather cover is provided with an integral gland nut connector for outdoor applications. In the outdoor configuration connections are made through the 4 position barrier strip.

The gland nut is weather proof and is rated NEMA 6P (IP68). The connector will accommodate cable outside diameters from 7mm to 12mm (0.236" to 0.472"). The maximum diameter will accommodate most 2 conductor AWG 12 cable assemblies.

The low frequency design is patent pending. The 12 inch 12I/O woofer utilizes a unique voice coil wind on the inside of the voice coil support structure. This design allows for both high magnetic system displacement as well as increased thermal transfer. This results in reduced power compression and higher reliability.

An M10 forged shoulder eye bolt kit is available for all M10 suspension points. The system may be used with 112IM or 212CIM enclosure in both simple and "T" planar arrays using the FLY-112IM or FLY-112IM-T planar array kits. It may also be used with the Pole Mount System.



## SPECIFICATIONS

Frequency Response	50Hz-150Hz
Coverage Pattern	Essentially Omnidirectional
Active Crossover Frequency	Recommended 80Hz (150Hz max)
Input	4 position barrier or 2 each 4 pin Speakon
System Sensitivity (1 watt - 1 meter)	96B
Power Handling	800 watts Continuous 1600 watts Program 3200 watts Peak*

\* NOTE: all system power handling rating are amplifier headroom dependent

Nominal Impedance	4 ohms
System Components:	
Low Frequency:	ONE SYSTEMS 12I/O (1 each)
High Frequency:	N/A
Suspension/Mounting points:	17 each M10
Weather Performance	IEC 529 IP 45 Mil Spec 810
Dimensions (H x W x D):	749mm x 368mm x 399mm (29.5 in x 14.5 in x 15.7)
Net Weight:	25 kg (55 lb)
Optional Accessories	FLY-112IM FLY-112IM M10 Forged Shoulder Eye Bolt
Additional Supporting Systems	112IM 112CIM

## FEATURES AND BENEFITS

- Weather Resistant 12" Low Frequency System
- Injection Molded High Weatherability Enclosure for Optimized Bass
- Optimized for use with the 112IM and 212CIM
- 1 x 12 inch 12I/O ONE SYSTEMS Woofer
- Patent Pending Large Voice Coil Low Frequency Transducer
- Multiple M10 Flying Points
- Available Array Brackets Planar Arrays and Pole Mount System
- Barrier Strip and Speakon Inputs with Gland Nut Weather Cover



ONE SYSTEMS®

# 112IMSUB™

Subwoofer Sound Reinforcement System

